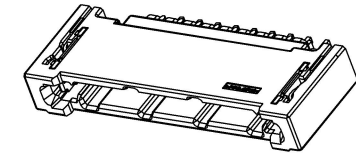
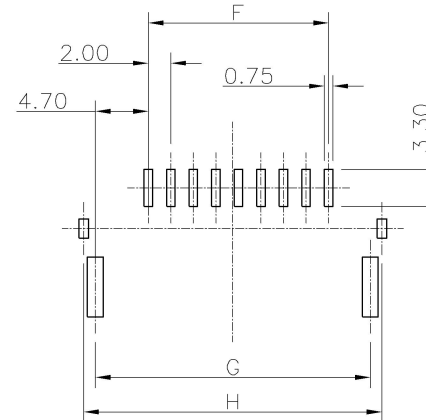
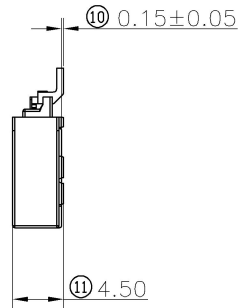
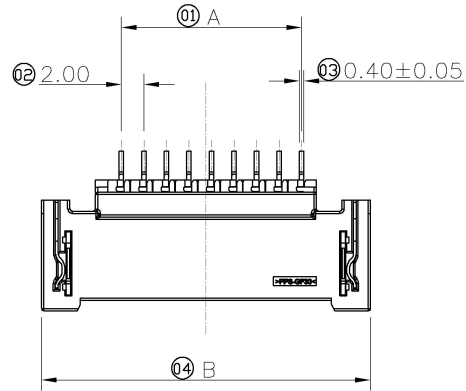


REV.	ECR	DESCRIPTION	DATE	REVISOR	CHECKED	APPROVED
A	EN-0101-210065	NEW RELEASE	2021/12/20	Zuyu Jiang	Wang	Lv

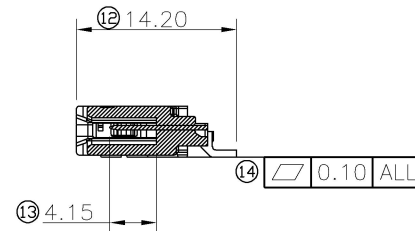
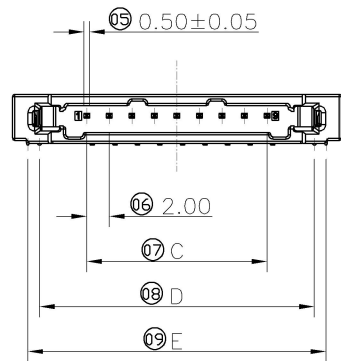


3D VIEW

PRODUCT NUMBER:

WTB31 - B 1 \*\* H W 1- 001  
① ② ③ ④ ⑤ ⑥ ⑦ ⑧

- ① WTB31: PITCH 2.00mm SINGLE ROW CONNECTOR
- ② B: BOARD
- ③ 1: SINGLE ROW
- ④ \*\*: 02 POSITIONS~16 POSITIONS
- ⑤ H: HORIZONTAL
- ⑥ W: BLACK
- ⑦ PLATED: 0 : GLOD  
1 : Sn
- ⑧ 001: OTHER



备注 (NOTS)

1. 材料 (MATERIAL)

1.1 塑胶 (INSULATOR) : PPS.

1.2 端子 (CONTACT) : Brass,

电镀: 部区域镀锡100u"MIN. 镍底50u" MIN.

COPPER ALLOY, 100u" MIN. TIN PLATED UNDERPLATED OVERALL  
50u" MIN. NICKEL UNDERPLATED OVERALL.

2. 技术说明 (SPECIFICATIONS) :

2.1 额定电流 (CURRENT RATING) : 3A MAX.AC / DC

2.2 额定电压 (VOLAGE RATING) :125V Max. AC / DC

2.3 耐电压 (WITHSTANDING VOLTAGE) : 500V AC FOR 1 MINUTE.

2.4 绝缘电阻 (INSULATION RESISTANCE) : 1000M Ω OHMS MIN.

2.5 接触阻抗 (CONTACT RESISTANCE) : 20m Ω MAX. (Initial)  
30m Ω MAX. (After Test)

2.6 工作温度 (OPERATING TEMPERATURE) : -40° C ~ +125° C.

尺寸 (mm)

PIN	A	B	C	D	E	F	G	H	PIN	A	B	C	D	E	F	G	H
2	2.00	15.20	2.00	10.40	12.46	2.00	10.40	12.46	10	18.00	31.20	18.00	26.40	28.46	18.00	26.40	28.46
3	4.00	17.20	4.00	12.40	14.46	4.00	12.40	14.46	11	20.00	33.20	20.00	28.40	30.46	20.00	28.40	30.46
4	6.00	19.20	6.00	14.40	16.46	6.00	14.40	16.46	12	22.00	35.20	22.00	30.40	32.46	22.00	30.40	32.46
5	8.00	21.20	8.00	16.40	18.46	8.00	16.40	18.46	13	24.00	37.20	24.00	32.40	34.46	24.00	32.40	34.46
6	10.00	23.20	10.00	18.40	20.46	10.00	18.40	20.46	14	26.00	39.20	26.00	34.40	36.46	26.00	34.40	36.46
7	12.00	25.20	12.00	20.40	22.46	12.00	20.40	22.46	15	28.00	41.20	28.00	36.40	38.46	28.00	36.40	38.46
8	14.00	27.20	14.00	22.40	24.46	14.00	22.40	24.46	16	30.00	43.20	30.00	38.40	40.46	30.00	38.40	40.46
9	16.00	29.20	16.00	24.40	26.46	16.00	24.40	26.46									

DRAWN JIANG ZUYU 2021/12/20	DATE 2021/12/20	GENERAL X: ±0.35 .XX ±0.25 .XXX ±0.15	ANGLES X° ±2.0° .X° .XX°	YXT 益鑫通精密电子有限公司 YXT Precision Electronics Co.,Ltd.
DESIGN JIANG ZUYU 2021/12/20	DATE 2021/12/20			
CHECKED WANG 2021/12/20	DATE 2021/12/20	GENERAL TOLERANCES UNLESS OTHERWISE SPECIFIED		
APPROVED LV 2021/12/20	DATE 2021/12/20		UNIT: mm	SIZE A4
客户图		SHEET 1 OF 1	SCALE 1:1	P/N WTB31-B1**HW1-001
		REV. A	DWG NO. /	