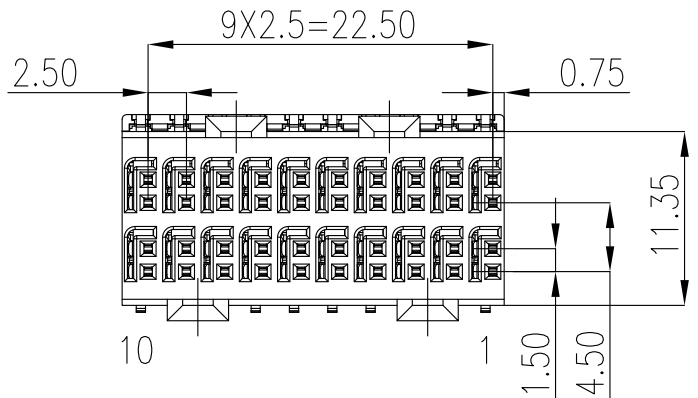
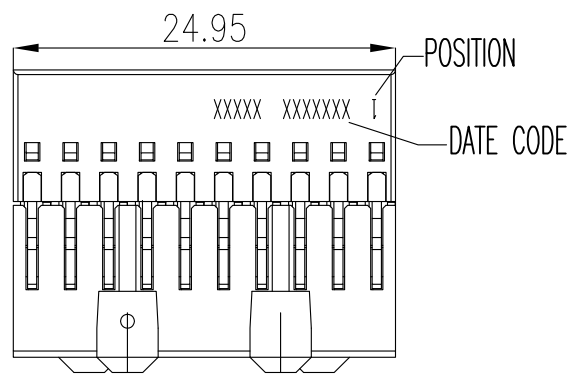
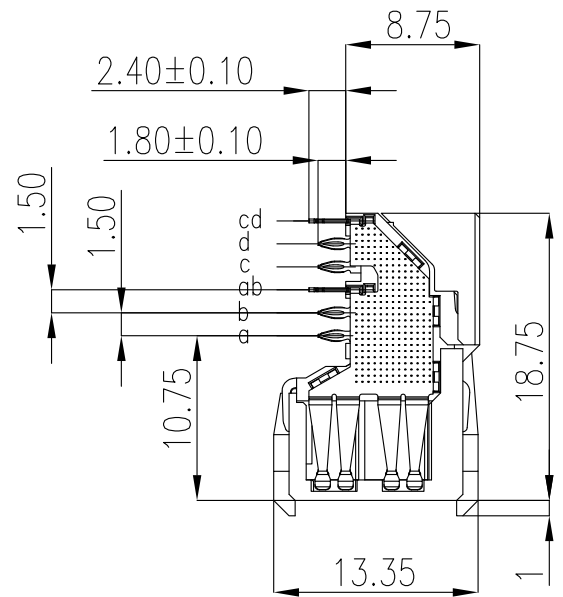

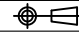
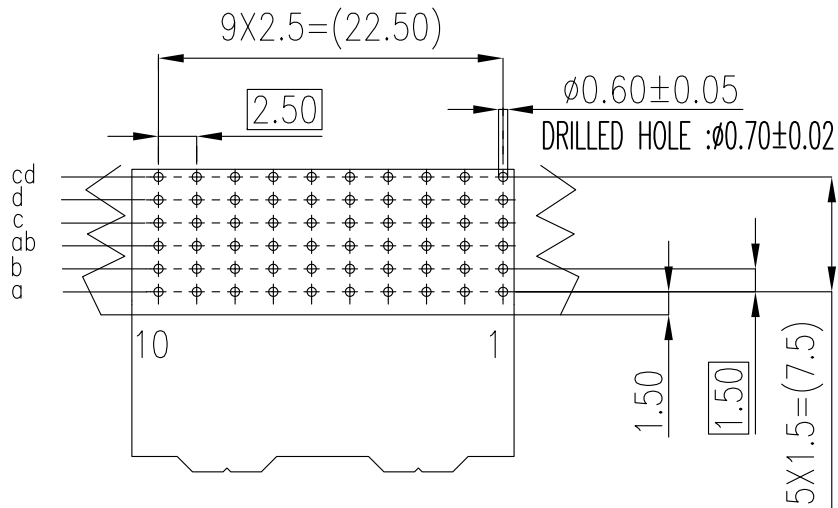


1 2 3 4 5 6 7 8

REV.	ECR	DESCRIPTION	DATE	REVISOR	CHECKED	APPROVED
A	TJECR18011	NEW RELEASE	2018/06/21	Snake.Sun	Jason.Bian	Dickson.Guan
B	NTECR20002	NEW RELEASE	2020/05/06	Jim.Wang	Jason.Bian	Dickson.Guan
C	ECR20014	CHANGE OF COMPANY NAME	2020/09/22	Lucien.Lu	Seven.Yuan	Jimmy.Ni




DRAWN	Snake.Sun	DATE	2018/06/21	GENERAL X. ±0.38 .X ±0.25 .XX ±0.20 .XXX ±0.05	ANGLES X° ±3.0° .X° ±2.0° .XX° ±1.0°	 YXT 益鑫通精密电子有限公司 YXT Precision Electronics Co.,Ltd.
DESIGN	Snake.Sun	DATE	2018/06/21			
CHECKED	Jason.Bian	DATE	2018/06/21	GENERAL TOLERANCES UNLESS OTHERWISE SPECIFIED		TITLE
APPROVED	Dickson.Guan	DATE	2018/06/21	 UNIT: mm		ZD CONNECTOR 2-10
CUSTOMER DRAWING	SHEET 1 OF 2		SCALE 2:1	SIZE A4	P/N YXT-ZDC-FR0400-01	REV. C DWG NO. C-ZDC-2S-00



PCB LAYOUT

YXT-ZDC-F R 040 0-0 1
 1 2 3 4 5 6 7

- 1.PRODUCT
ZD CONNECTOR
- 2.TYPE
F:FEMALE
- 3.PRODUCT
R:BEND TYPE
- 4.POSITIONS
040:40 POSITIONS
- 5.TERMINAL
0:NO SPECIAL TERMINAL
- 6.POST
0:WITHOUT POST
- 7.SHIELD
1:WITH SHIELD

DRAWN Snake.Sun 2018/06/21	DATE 2018/06/21	GENERAL X. ±0.38 .X ±0.25 .XX ±0.20 .XXX ±0.05	ANGLES X' ±3.0' .X' ±2.0' .XX' ±1.0'	 益鑫通精密电子有限公司 YXT Precision Electronics Co.,Ltd.
DESIGN Snake.Sun 2018/06/21	DATE 2018/06/21	GENERAL TOLERANCES UNLESS OTHERWISE SPECIFIDE		
CHECKED Jason.Bian 2018/06/21	DATE 2018/06/21	UNLESS OTHERWISE SPECIFIDE		TITLE ZD CONNECTOR 2-10
APPROVED Dickson.Guan 2018/06/21	DATE 2018/06/21	UNIT: mm	SIZE A4	P/N YXT-ZDC-FR0400-01
CUSTOMER DRAWING	SHEET 2 OF 2	SCALE 2:1	REV. C	DWG NO. C-ZDC-2S-00