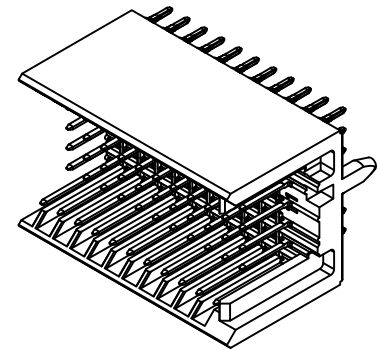
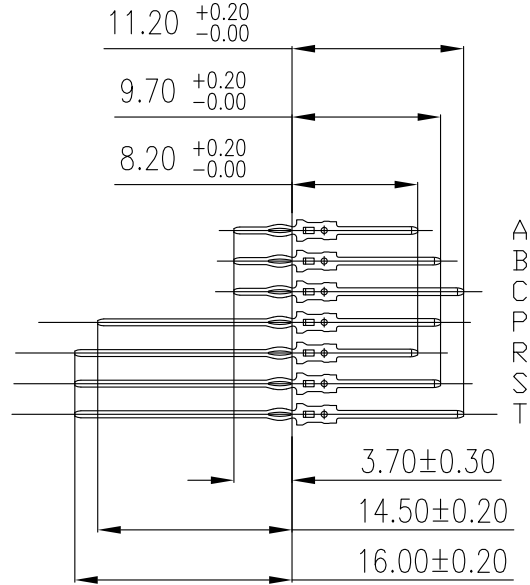
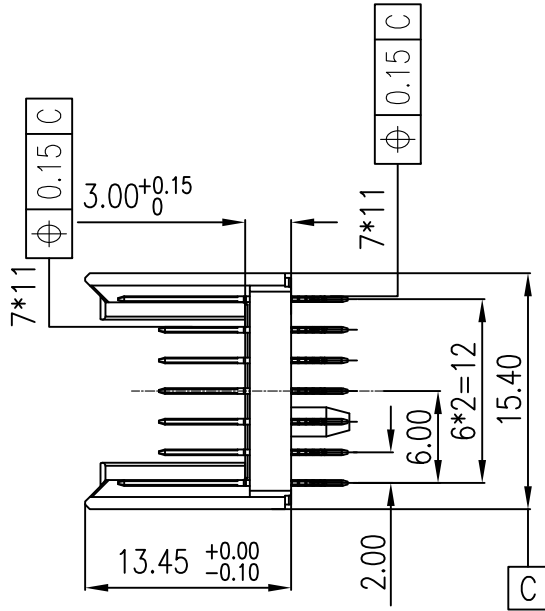
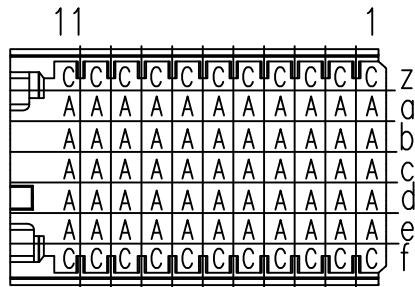
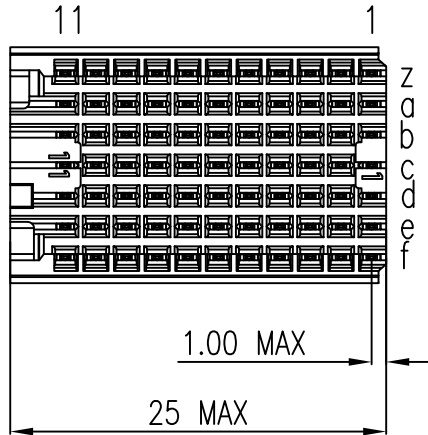
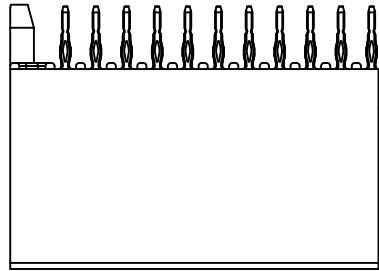


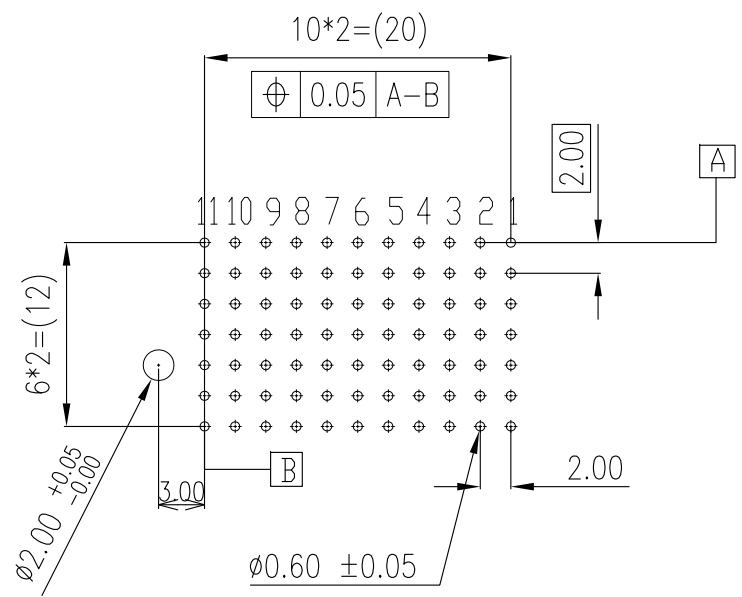
1 2 3 4 5 6 7 8

REV.	ECR	DESCRIPTION	DATE	REVISOR	CHECKED	APPROVED
A	TJECR19012	NEW RELEASE	2018/05/22	Snake.Sun	Jason.Bian	Dickson.Guan
B	ECR20014	CHANGE OF COMPANY NAME	2020/09/22	Lucien.Lu	Seven.Yuan	Jimmy.Ni



DRAWN Snake.Sun 2018/05/22	DATE 2018/05/22	GENERAL X. ±0.38 .X ±0.25 .XX ±0.20 .XXX ±0.05	ANGLES X' ±3.0' .X' ±2.0' .XX' ±1.0'	益鑫通精密电子有限公司 YXT Precision Electronics Co.,Ltd.	
DESIGN Snake.Sun 2018/05/22	DATE 2018/05/22	GENERAL TOLERANCES UNLESS OTHERWISE SPECIFIED			TITLE 2MM HARD METRIC PLUG TYPE C 55PIN CONNECTORS
CHECKED Jason.Bian 2018/05/22	DATE 2018/05/22	APPROVED Dickson.Guan 2018/05/22	UNIT: mm	SIZE A4	P/N YXT-HMC-MC055A-11
CUSTOMER DRAWING		SHEET 1 OF 2	SCALE 2:1	REV. B	DWG NO. C-HMC-5P-07

1 2 3 4 5 6 7 8



YXT - HMC - MC 055 A - 1 1
 1 2 3 4 5 6

- 1.PRODUCT
HMC:HARD METRIC CONNECTOR
- 2.TYPE
MC:PLUG TYPE C
- 3.PIN NUMBER
055:55 PINS
- 4.SIGNAL PIN TYPE
A:CONTACT A
- 5.POST
1:WITH POST
- 6.SHIELD
1:WITH SHIELD(CONTACT C)

NOTES:

- 1.0:RATING:
- 1.1:VOLTAGE:500V AC/DC
- 1.2:CURRENT:1.5 AMPS
- 1.3:OPERATION TEMPERATURE:-55°C TO +125°C
- 1.4:CONNECTOR PITCH:2MM
- 1.5:PERFORMANCE LEVEL:≥250 MATING CYCLES
- 1.6:PRESSFIT PIN INSERTION:0.6MM±0.05MM AFTER PLATING
- 1.7:FLAMMABILITY:UL94V-0

DRAWN	DATE	GENERAL	ANGLES	益鑫通精密电子有限公司 YXT Precision Electronics Co.,Ltd.
Snake.Sun	2018/05/22	X. ±0.38	X' ±3.0°	
DESIGN	DATE	.X ±0.25	.X' ±2.0°	TITLE
Snake.Sun	2018/05/22	.XX ±0.20	.XX' ±1.0°	
CHECKED	DATE	.XXX ±0.05		2MM HARD METRIC PLUG TYPE C 55PIN CONNECTORS
Jason.Bian	2018/05/22			
APPROVED	DATE	GENERAL TOLERANCES UNLESS OTHERWISE SPECIFIDE		SIZE A4 P/N YXT-HMC-MC055A-11 REV. B DWG NO. C-HMC-5P-07
Dickson.Guan	2018/05/22	UNIT: mm	SCALE 2:1	
CUSTOMER DRAWING		SHEET 2 OF 2	SCALE 2:1	