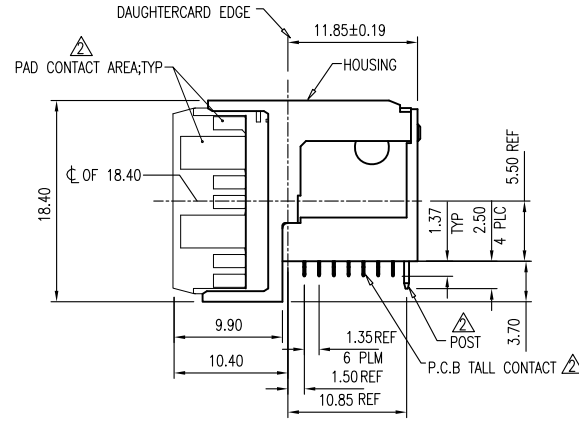
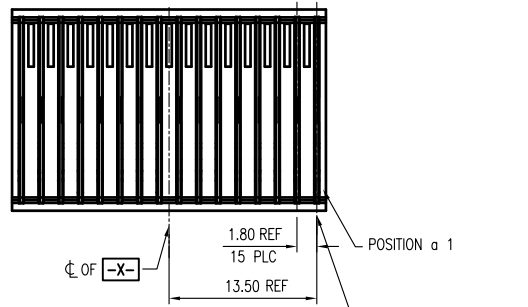


REV.	ECR	DESCRIPTION	DATE	REVISOR	CHECKED	APPROVED
A		NEW RELEASE	08/06/21'	Lucien.Lu	Seven.Yuan	Will.Gao



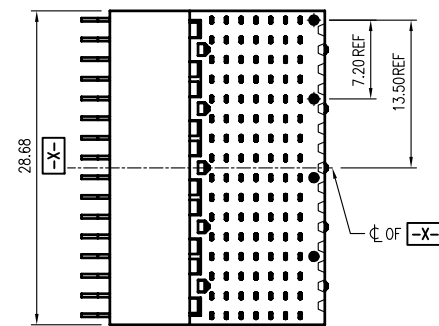
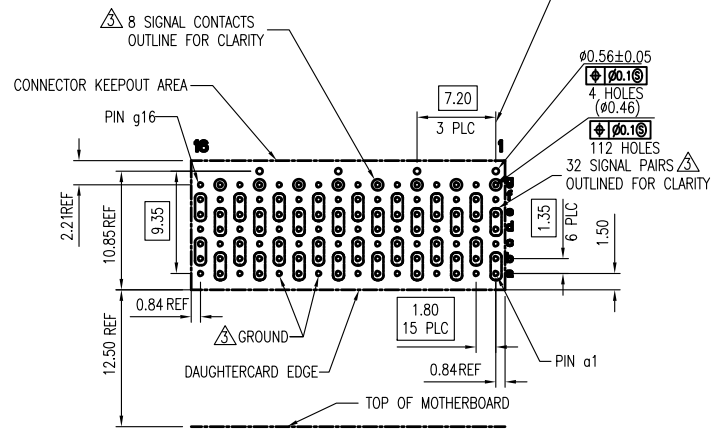
NOTES:
 △ HOUSING: LCP, UL94V0, COLOR: BLACK
 CONTACT: PHOSPHOR BRONZE
 POST: BRASS WIRE
 △ CONTACT: 1.27 μm MIN GOLD IN PAD CONTACT AREA.
 1.27 μm MIN GOLD ON PCB TALL
 OVER 1.27 μm MIN NICKEL OVER ALL
 POST 1.27 μm MIN NICKEL PLATED
 △ SEE TABLE 1 FOR INTERCONNECTORS TO BACKPLANE CONNECTOR

TABLE 1
 INTERCONNECTIONS WITH BACKPLANE CONNECTOR Y1410140-1

TYPICAL INTERCONNECTIONS FOR EACH EVEN-NUMBERED COLUMN (WAFER): 2, 4, 6, 8, 10, 12, 14, 16		
CONTACT USAGE	DAUGHTERCARD CONNECTOR PIN	BACKPLANE CONNECTOR PIN
SIGNAL PAIR	bx	cx
SIGNAL PAIR	cx	dx
SIGNAL PAIR	ex	gx
SIGNAL PAIR	fx	hx
GROUND	ax, dx, gx, (ALL COMMONED)	ax, bx, ex, fx, ix

TYPICAL INTERCONNECTIONS FOR EACH ODD-NUMBERED COLUMN (WAFER): 1, 3, 5, 7, 9, 11, 13, 15		
CONTACT USAGE	DAUGHTERCARD CONNECTOR PIN	BACKPLANE CONNECTOR PIN
SIGNAL PAIR	ax	ax
SIGNAL PAIR	bx	bx
SIGNAL PAIR	dx	ex
SIGNAL PAIR	ex	fx
SIGNAL PAIR	gx	ix
GROUND	cx, fx (ALL COMMONED)	cx, dx, gx, hx

NOTE: "x" DESIGNATES THE COLUMN NUMBER



PC BOARD LAYOUT
 (CONNECTOR SIDE)

DRAWN Lucien.Lu DESIGN Lucien.Lu CHECKED David.Wang APPROVED Will.Gao CUSTOMER DRAWING	DATE 08/06/21' DATE 08/06/21' DATE 08/06/21' DATE 08/06/21' DATE 08/06/21'	GENERAL X. ±0.38 .X ±0.25 .XX ±0.13 .XXX ±0.05	ANGLES X'. ±3.0' .X' ±2.0' .XX' ±1.0'	益鑫通精密电子有限公司 YXT Precision Electronics Co., Ltd. TITLE RIGHT-ANGLE PLUG ASSEMBLY, 7 ROW, CENTER 20.3mm. DAUGHTER CARD CONNECTOR DIFFERENTIAL UNIT: mm SIZE A4 P/N VPX20-1410187-3 REV. A DWG NO. C-VPX201410187-3
--	---	--	--	---