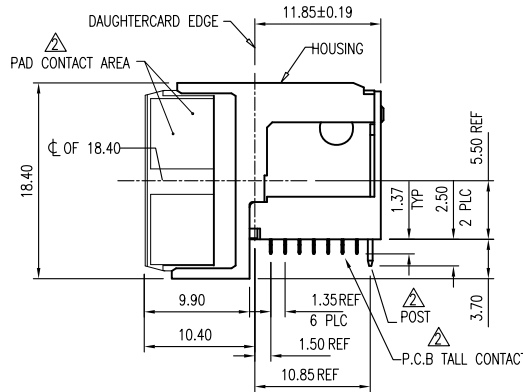
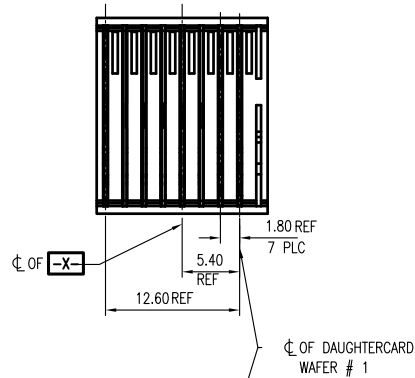


REV.	ECR	DESCRIPTION	DATE	REVISOR	CHECKED	APPROVED
A		NEW RELEASE	08/06/21'	Lucien.Lu	Seven.Yuan	Will.Gao



- NOTES:
- △ HOUSING:LCP,UL94V0,COLOR:BLACK
  - CONTACT:PHOSPHOR BRONZE
  - POST:BRASS WIRE
  - △ CONTACT:1.27 μm MIN GOLD IN PAD CONTACT AREA
  - 1.27 μm MIN GOLD ON PCB TALL OVER
  - 1.27 μm MIN NICKEL OVER ALL
  - POST: 1.27 μm MIN NICKEL PLATED
  - △ SEE TABLE I FOR INTERCONNECTORS TO BACKPLANE CONNECTOR

TABLE I  
INTERCONNECTIONS WITH BACKPLANE CONNECTOR Y1410189-1

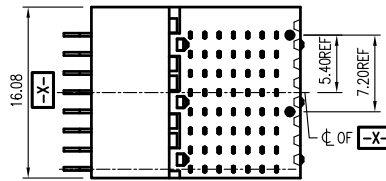
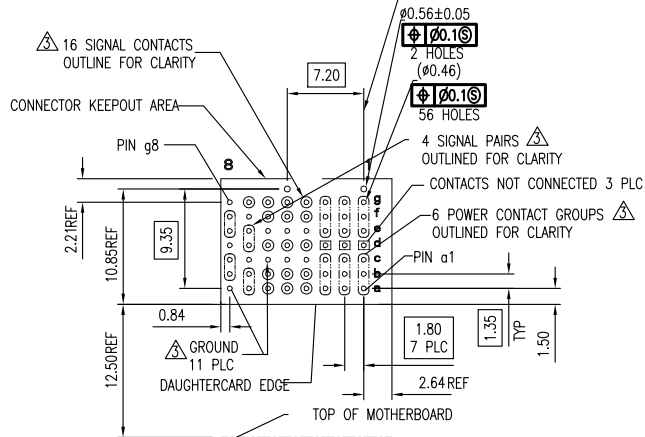
TYPICAL INTERCONNECTIONS FOR COLUMN (WAFER): 8		
CONTACT USAGE	DAUGHTERCARD CONNECTOR PIN	BACKPLANE CONNECTOR PIN
SIGNAL PAIR	bx	cx
SIGNAL PAIR	cx	dx
SIGNAL PAIR	ex	gx
SIGNAL PAIR	fx	hx
GROUND	dx, dx, gx (ALL COMMONED)	ax, bx, ex, fx, ix

TYPICAL INTERCONNECTIONS FOR COLUMN (WAFER): 7		
CONTACT USAGE	DAUGHTERCARD CONNECTOR PIN	BACKPLANE CONNECTOR PIN
SIGNAL PAIR	ax	ax
SIGNAL PAIR	bx	bx
SIGNAL PAIR	dx	ex
SIGNAL PAIR	ex	fx
SIGNAL	gx	ix
GROUND	cx, ix (ALL COMMONED)	cx, dx, gx, hx

TYPICAL INTERCONNECTIONS FOR EACH COLUMN (WAFER): 4, 5, 6		
CONTACT USAGE	DAUGHTERCARD CONNECTOR PIN	BACKPLANE CONNECTOR PIN
SIGNAL	ax	bx
SIGNAL	bx	cx
SIGNAL	dx	ex
SIGNAL	fx	gx
SIGNAL	gx	hx
GROUND	cx, ix (ALL COMMONED)	ax, dx, fx, ix

TYPICAL INTERCONNECTIONS FOR EACH COLUMN (WAFER): 1, 2, 3		
CONTACT USAGE	DAUGHTERCARD CONNECTOR PIN	BACKPLANE CONNECTOR PIN
POWER	ax, bx, cx	ax, bx, cx, dx
POWER	ex, fx, gx	fx, gx, hx, ix
NOT CONNECTED	dx	ex

NOTE: "x" DESIGNATES THE COLUMN NUMBER



PC BOARD LAYOUT  
(CONNECTOR SIDE)

DRAWN Lucien.Lu	DATE 08/06/21'	GENERAL X. ±0.38 .X ±0.25 .XX ±0.20 .XXX ±0.05	ANGLES X' ±3.0' .X' ±2.0' .XX' ±1.0'	益鑫通精密电子有限公司 YXT Precision Electronics Co., Ltd.
DESIGN Lucien.Lu	DATE 08/06/21'	GENERAL TOLERANCES UNLESS OTHERWISE SPECIFIED		
CHECKED Seven.Yuan	DATE 08/06/21'	UNIT: mm		TITLE RIGHT-ANGLE PLUG ASSEMBLY, 7 ROW, HALF LEFT END, 20.3mm. DAUGHTER CARD CONNECTOR VITA 46
APPROVED Will.Gao	DATE 08/06/21'	SCALE: 1:1		SIZE A4 / P/N VPX20-1410189-3
CUSTOMER DRAWING	SHEET 1 OF 1	SCALE: 1:1		DWG NO. C-VPX20-1410189-3