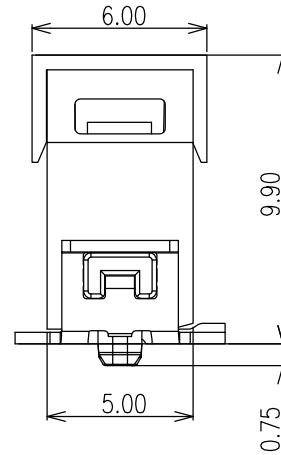
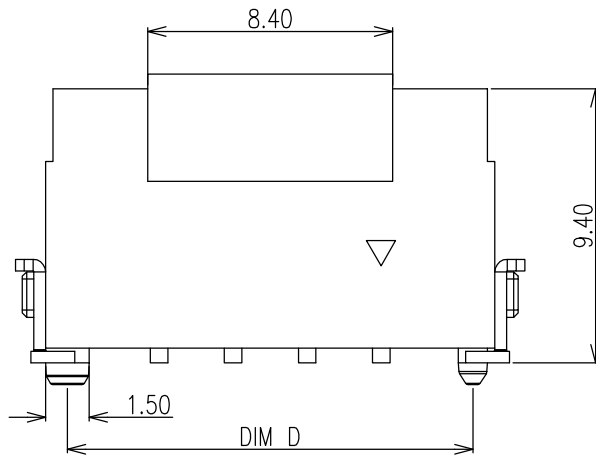
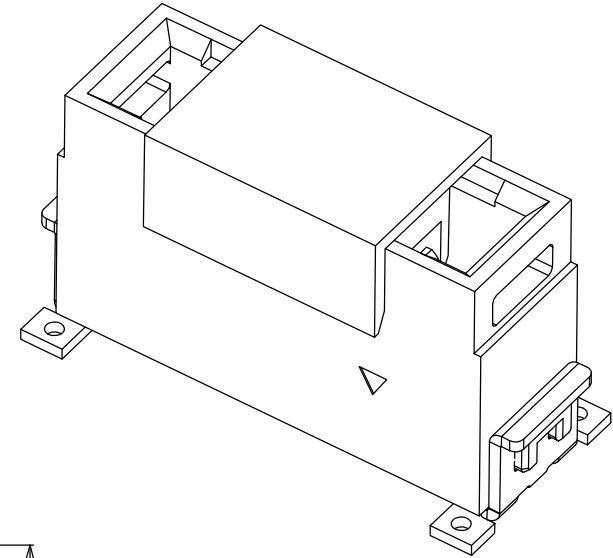
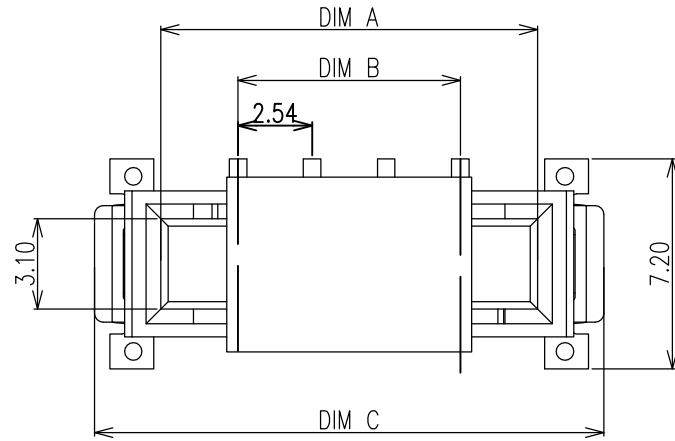

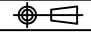


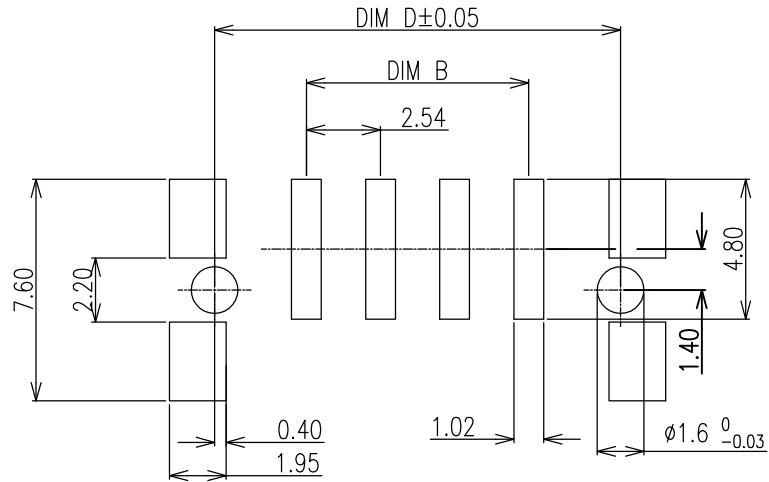
RoHS

REV.	ECR	DESCRIPTION	DATE	REVISOR	CHECKED	APPROVED
A		NEW RELEASE		WDD	LW	WF
A2						



DRAWN	DATE	GENERAL	ANGLES	 YXT 益鑫通精密电子有限公司 YXT Precision Electronics Co., Ltd.
JACK		X. ±0.38	X' ±3.0'	
DESIGN	DATE	.X ±0.25	.X' ±2.0'	
JACK		.XX ±0.13	.XX' ±1.0'	TITLE
CHECKED	DATE	GENERAL TOLERANCES UNLESS OTHERWISE SPECIFIED		Pitch 2.54mm Single Row WTB Connector
MANGER				
APPROVED	DATE			
LYG		 UNIT: mm	SIZE A4	P/N WTB10-BOXVB00
CUSTOMER DRAWING	SHEET 1 OF 3	SCALE 3:1	REV. A2	DWG NO. C-WTB10-1P-00

RoHS



RECOMMENDED APPLICABLE PCB LAYOUT

	DIM A	DIM B	DIM C	DIM D
2PIN	7.84	2.54	12.38	8.84
3PIN	10.38	5.08	14.92	11.38
4PIN	12.92	7.62	17.46	13.92
5PIN	15.46	10.16	20.00	16.46
6PIN	18.00	12.70	22.54	19.00
8PIN	23.08	17.78	27.62	24.08

1. MATERIAL

- 1.1 INSULATOR: HIGHT TEMPERATURE PLASTIC, UL94V-0, BLACK COLOR.
- 1.2 CONTACT: COPPER ALLOY, GOLD PLATED(SEE ORDER INFORMATION) IN CONTACT AREA, MATTE-TIN PLATED IN SOLDER AREA, NICKEL UNDERPLATED OVERALL.
- 1.3 LATCH: COPPER ALLOY, TIN PLATED, NICKEL UNDERPLATED OVERALL.

2. SPECIFICATIONS:

- 2.1 CURRENT RATING:8A MAX DEPENDS ON THE CABLE.
- 2.2 WITHSTANDING VOLTAGE: 500V AC FOR A MINUTE.
- 2.3 INSULATION RESISTANCE: 100M OHMS MIN. DC 500V.
- 2.4 CONTACT RESISTANCE: 10mΩ MAX.
- 2.5 OPERATING TEMPERATURE: -40°C ~ +125°C.

3. APPLICATION:

- 3.1 MATES WITH WIRE CONNECTOR:
WTB10-WOXXHBX0(DOCUMENT NO:C-WTB10-1W-01).

4.PLATING:

- 4.1 ALL UNDERPLATED:PLATING NI
CONTACT AREA:PLATING AU 15u"
PRESSFIT AREA:PLATING Matt Sn"
- 4.2 ALL UNDERPLATED:PLATING NI
SURFACE:PLATING Matt Sn

PRODUCT NUMBER CODE

WTB10 - B 0 XX V B 0 0
① ② ③ ④ ⑤ ⑥ ⑦ ⑧

① PRODUCT:
WTB10 : 2.54mm PITCH CONNECTOR

② TYPE 1:
B: BOARD

③ TYPE 2:
0: SINGLE ROW

④ PRODUCT
XX: XX POSITIONS

⑤ PRODUCT
V: VERTICAL ANGLE

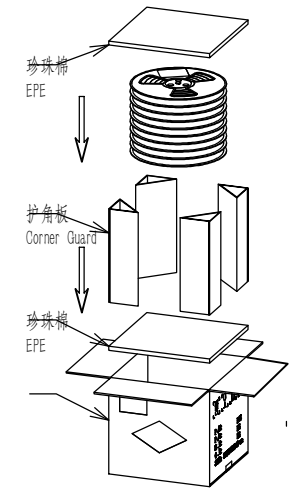
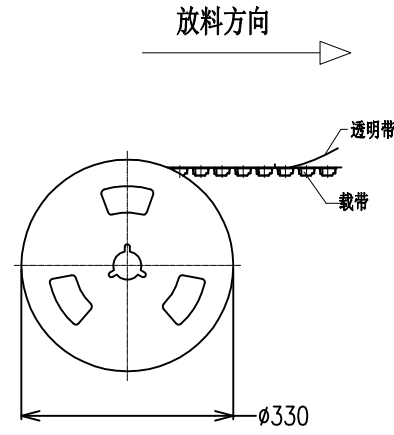
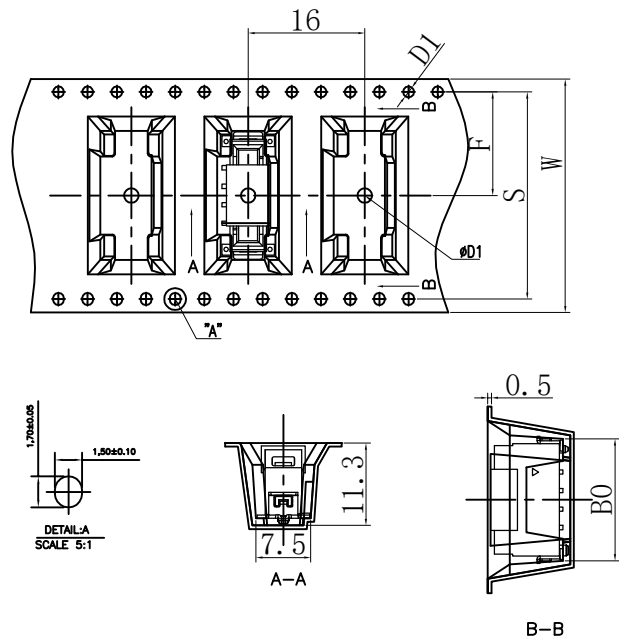
⑥ COLOR
B: BLACK

⑦ PLATING OF TERMINAL:
0: SEE NOTE 4.1
1: SEE NOTE 4.2

⑧ OTHERS:

DRAWN	DATE	GENERAL	ANGLES	YXT 益鑫通精密电子有限公司 YXT Precision Electronics Co.,Ltd.
JACK		X. ±0.38	X' ±3.0'	
DESIGN	DATE	.X ±0.25	.X' ±2.0'	
JACK		.XX ±0.13	.XX' ±1.0'	TITLE
CHECKED	DATE	GENERAL TOLERANCES UNLESS OTHERWISE SPECIFIED		Pitch 2.54mm Single Row WTB Connector
MANGER				
APPROVED	DATE			
LYG			UNIT: mm	SIZE A4 P/N WTB10-BOXXVB00
CUSTOMER DRAWING	SHEET 2 OF 3	SCALE 4:1	REV. A1	DWG NO. C-WTB10-1P-00

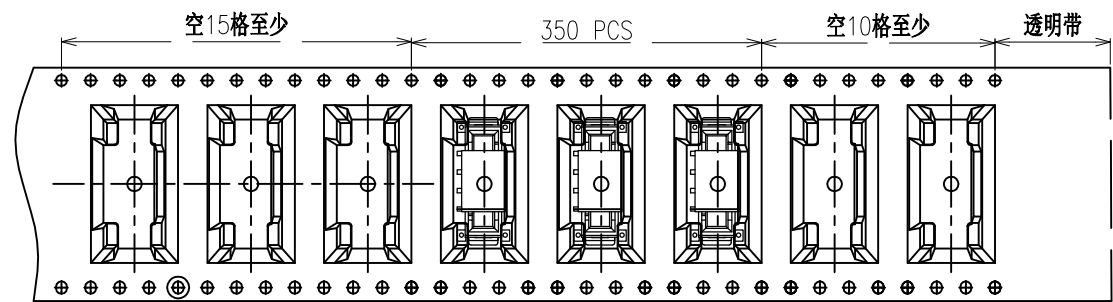
RoHS



- 备注：
- 10个边孔的累计公差不能超过 $\pm 0.2\text{mm}$ 。
 - 材料规格：PS 黑色抗静电，厚度 0.5 mm。
 - 载带在 250mm 长度以内最大弯曲度不超过 1mm。
 - 所有尺寸设计参照 EIA-481-C-2003。
 - 包装数量：350pcs/Reel
 - 透明盖带使用冷封
 - 外箱包装尺寸为 370mm*370mm*340mm

	WTB10-B002VB00	WTB10-B003VB00	WTB10-B004VB00	WTB10-B005VB00	WTB10-B006VB00	WTB10-B008VB00
W	24.00±0.30	32.00±0.30	32.00±0.30	44.00±0.30	44.00±0.30	44.00±0.30
S	NA	28.40±0.10	28.40±0.10	40.40±0.10	40.40±0.10	40.40±0.10
F	11.5±0.15	14.20±0.15	14.20±0.15	20.20±0.15	20.20±0.15	20.20±0.15
B0	11.62±0.10	14.16±0.10	16.7±0.10	19.24±0.10	21.78±0.10	26.86±0.10

产品料号	包装数/REEL	包装数/外箱
WTB10-B002VB00	350	3500
WTB10-B003VB00	350	2800
WTB10-B004VB00	350	2800
WTB10-B005VB00	350	2100
WTB10-B006VB00	350	2100
WTB10-B008VB00	350	2100



DRAWN DATE	GENERAL	ANGLES	益鑫通精密电子有限公司 YXT Precision Electronics Co., Ltd.
JACK	X. ±0.38 .X ±0.25 .XX ±0.13 .XXX ±0.05	X' ±3.0' .X' ±2.0' .XX' ±1.0'	
DESIGN DATE	GENERAL TOLERANCES UNLESS OTHERWISE SPECIFIED		TITLE
JACK			Pitch 2.54mm Single Row WTB Connector
CHECKED DATE	UNIT: mm	SIZE A4	P/N WTB10-BOXVB00
MANGER	SCALE 4:1	REV. A1	DWG NO. C-WTB10-1P-00
APPROVED DATE	SHEET 3 OF 3		
LYG			
CUSTOMER DRAWING			