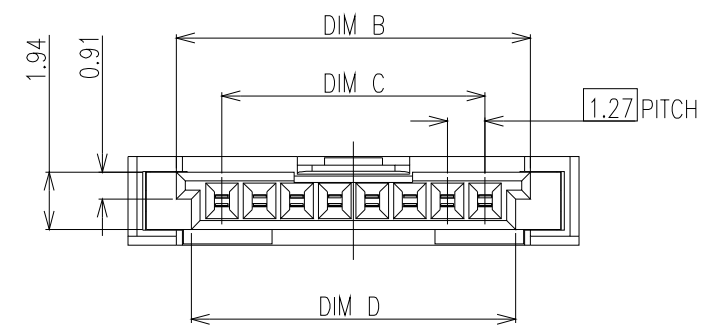
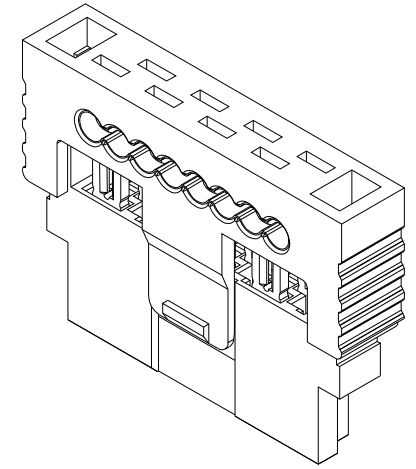
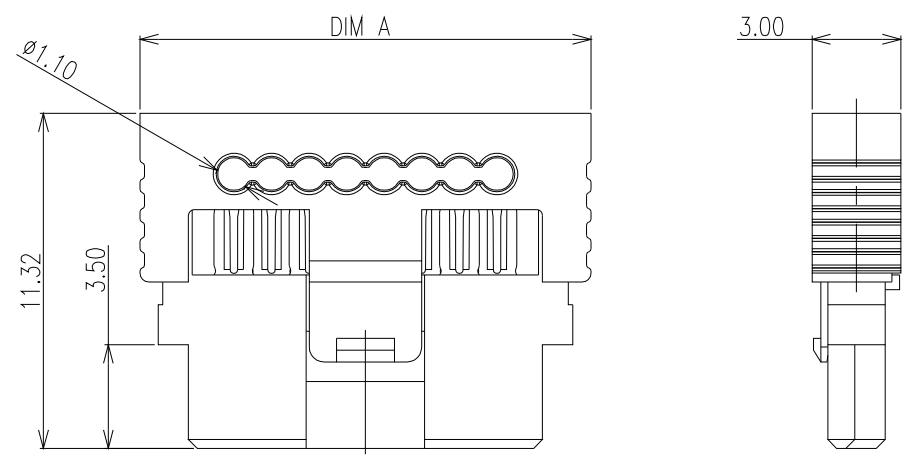



RoHS

REV.	ECR	DESCRIPTION	DATE	REVISOR	CHECKED	APPROVED
A		NEW RELEASE	2018/10/25	JIM	JASON	DICKSON
B	ECR20019	Add RoHS label	10/19/20'	ALBERT SHI	OLIVER CHEN	JIMMY NI



4	SHORT TERMINAL	PIN/2	COPPER ALLOY	
3	LONG TERMINAL	PIN/2	COPPER ALLOY	
2	COVER	1	Nylon,UL94V-0(REDF)	
1	HOUSING	1	LCP,UL94V-0(BLACK)	
ITEM	NAME	Q'TY	MATERIAL / FINISH	
DRAWN	DATE	GENERAL	ANGLES	 <b>YXT</b> 益鑫通精密电子有限公司 YXT Precision Electronics Co.,Ltd.
ALBERT SHI	10/19/20'	X. ±0.38	X' ±3.0°	
DESIGN	DATE	.X ±0.25	.X' ±2.0°	
ALBERT SHI	10/19/20'	.XX ±0.13	.XX' ±1.0°	
CHECKED	DATE	.XXX ±0.05		TITLE
OLIVER CHEN	10/19/20'	GENERAL TOLERANCES		Pitch 1.27 Single row WTB Connector
APPROVED	DATE	UNLESS OTHERWISE SPECIFIDE		
JIMMY NI	10/19/20'	UNIT: mm	SIZE A4	P/N WTB20-WOXXRB02
CUSTOMER DRAWING	SHEET 1 OF 2	SCALE 4:1	REV. B	DWG NO. C-WTB20-1W-02



NOTE:

DIM	A	B	C	D
2PIN	7.32	4.38	1.27	3.38
3PIN	8.59	5.65	2.54	4.65
4PIN	9.86	6.92	3.81	5.92
6PIN	12.4	9.46	6.35	8.46
8PIN	14.94	12	8.89	11
10PIN	17.48	14.54	11.43	13.54

1. SPECIFICATIONS:
  - 1.1 CURRENT RATING: 4A MAX.
  - 1.2 WITHSTANDING VOLTAGE: 500V AC FOR A MINUTE.
  - 1.3 INSULATION RESISTANCE: 10000M OHMS MIN. DC 500V.
  - 1.4 CONTACT RESISTANCE: 25mΩ MAX.
  - 1.5 OPERATING TEMPERATURE: -40°C ~ +125°C.
2. APPLICATION:
  - 2.1 MATES WITH WIRE CONNECTOR:
    - WTB20-BOXXHB02(DOCUMENT NO:C-WTB20-1P-03).
    - WTB20-BOXXVB02(DOCUMENT NO:C-WTB20-1P-02).
  - 2.2Cable: 26AWG

PRODUCT NUMBER CODE \_\_\_\_\_

WTB20 - W 0 XX R X 02  
① ② ③ ④ ⑤ ⑥ ⑦

① PRODUCT:  
WTB20:1.27mm WTB CONNECTOR

② TYPE:  
W:WIRE


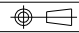
③ TYPE:  
0:SINGLE ROW

④ POSITIONS:  
XX:SEE NOTE

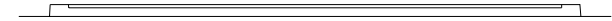
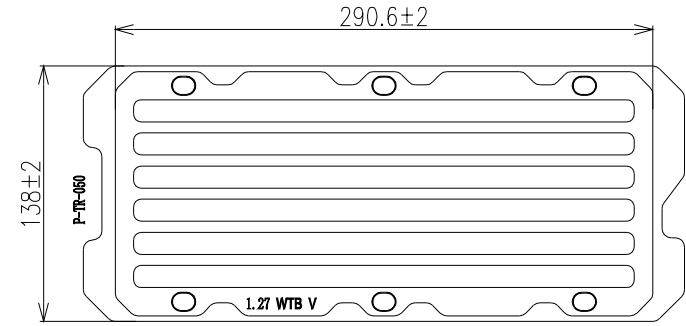
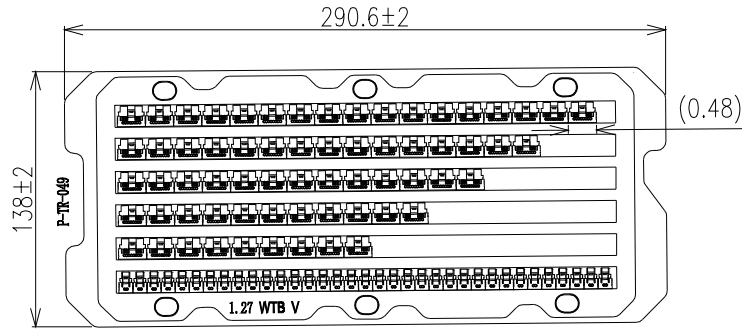
⑤ PRODUCT:  
R:RIGHTANLE TYPE

⑥ COLOR:  
B:BLACK


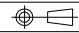
⑦ OTHER:  
0:GOLD-PLATING

DRAWN	DATE	GENERAL	ANGLES	 <b>YXT</b> 亿鑫通精密电子有限公司 YXT Precision Electronics Co.,Ltd.
ALBERT SHI	10/19/20'	X. ±0.38	X' ±3.0'	
DESIGN	DATE	.X ±0.25	.X' ±2.0'	TITLE
ALBERT SHI	10/19/20'	.XX ±0.13	.XX' ±1.0'	
CHECKED	DATE	.XXX ±0.05		Pitch 1.27 Single row WTB Connector
OLIVER CHEN	10/19/20'	GENERAL TOLERANCES UNLESS OTHERWISE SPECIFIDE		
APPROVED	DATE		UNIT: mm	SIZE A4
JIMMY NI	10/19/20'			P/N WTB20-WOXXRB02
CUSTOMER DRAWING	SHEET 2 OF 2	SCALE 4:1	REV. B	DWG NO. C-WTB20-1W-02

RoHS



产品料号	上盖&底托料号	包装数/TRAY
WTB20-W002RB02	P-TR-049&P-TR-050	245
WTB20-W003RB02	P-TR-049&P-TR-050	210
WTB20-W004RB02	P-TR-049&P-TR-050	182
WTB20-W006RB02	P-TR-049&P-TR-050	147
WTB20-W008RB02	P-TR-049&P-TR-050	119
WTB20-W010RB02	P-TR-049&P-TR-050	105

DRAWN	DATE	GENERAL	ANGLES	 <b>YXT</b> 亿鑫通精密电子有限公司 YXT Precision Electronics Co., Ltd.
ALBERT SHI	10/19/20'	X. ±0.38	X' ±3.0'	
DESIGN	DATE	.X ±0.25	.X' ±2.0'	TITLE
ALBERT SHI	10/19/20'	.XX ±0.13	.XX' ±1.0'	
CHECKED	DATE	.XXX ±0.05		Pitch 1.27 Single row WTB Connector
OLIVER CHEN	10/19/20'	GENERAL TOLERANCES UNLESS OTHERWISE SPECIFIED		
APPROVED	DATE	 UNIT: mm	SIZE A4	P/N
JIMMY NI	10/19/20'		SCALE 4:1	REV. B
CUSTOMER DRAWING	SHEET 3 OF 3		DWG NO.	C-WTB20-1W-02