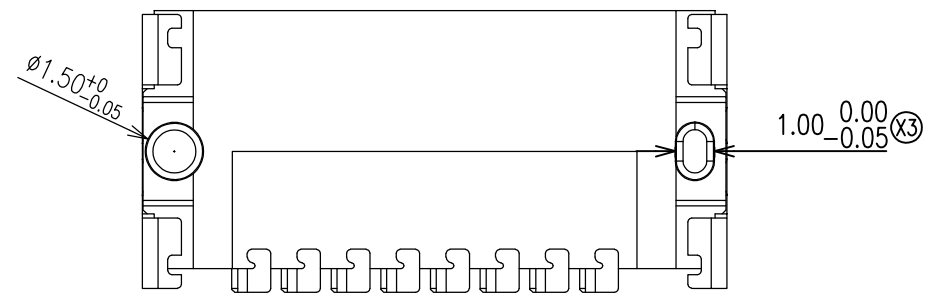
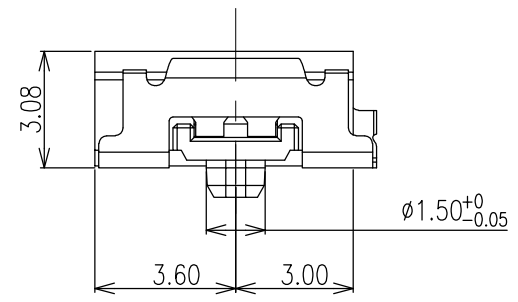
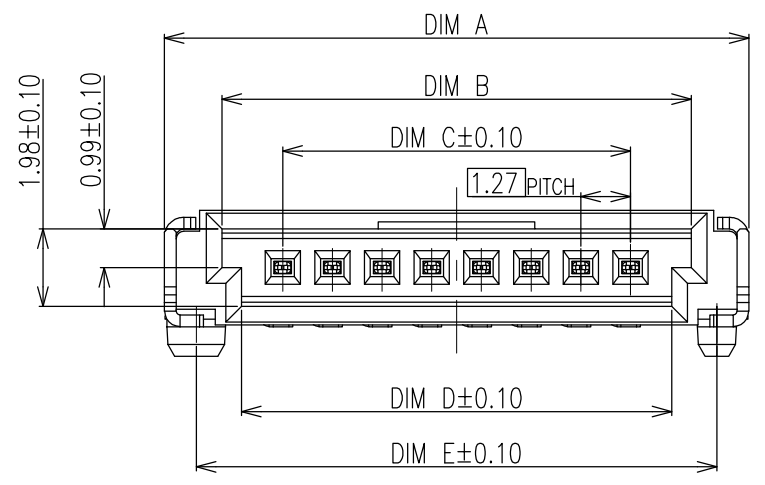
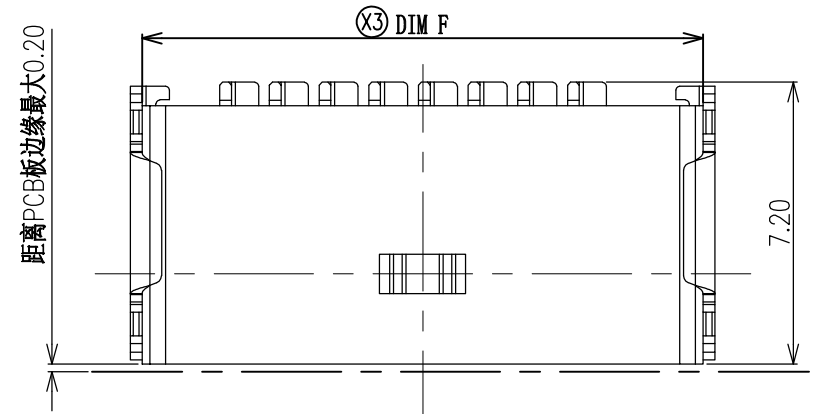
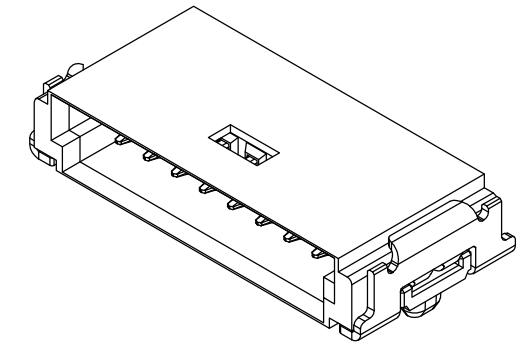

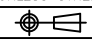


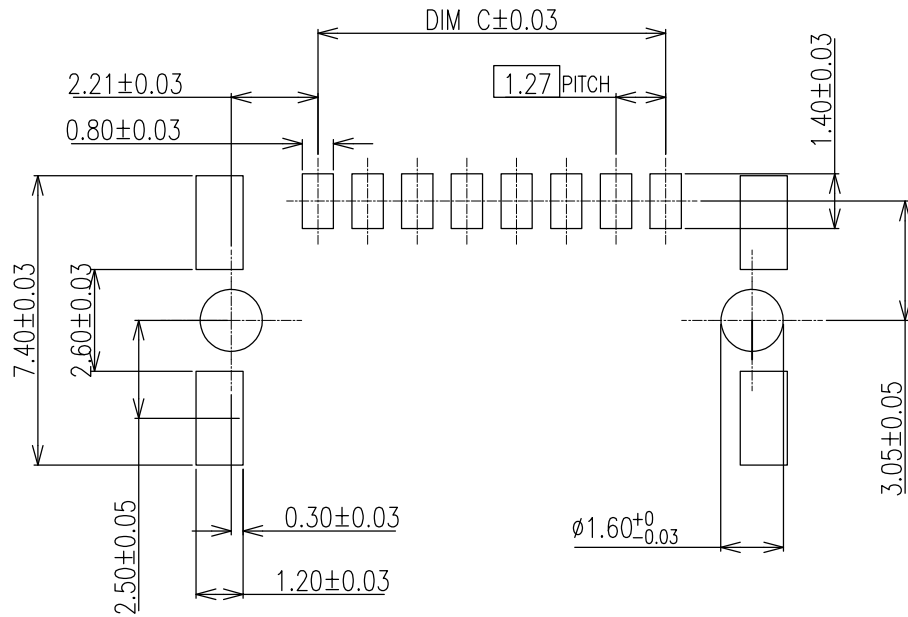
RoHS



REV.	ECR	DESCRIPTION	DATE	REVISOR	CHECKED	APPROVED
X1		NEW RELEASE	2018/10/25	JIM	JASON	DICKSON
X2		Add 12 pin	2021/12/29	Jack	Menger	LYG
X3		ADD DIM	2022/02/25	Menger	Menger	LYG



DRAWN Menger	DATE 2/25/2022	GENERAL X. ±0.38 .X ±0.25 .XX ±0.13 .XXX ±0.05	ANGLES X' ±3.0° .X' ±2.0° .XX' ±1.0°	 YXT 益鑫通精密电子有限公司 YXT Precision Electronics Co.,Ltd.		
DESIGN Menger	DATE 2/25/2022					
CHECKED M.Y	DATE 2/25/2022	GENERAL TOLERANCES UNLESS OTHERWISE SPECIFIED		UNIT: mm	SIZE A4	P/N WTB20-BOXHB02
APPROVED LYG	DATE 2/25/2022			SCALE 5:1	REV. X3	DWG NO. C-WTB20-1P-03
CUSTOMER DRAWING		SHEET 1 OF 3				



PCB LAYOUT

DIM	A	B	C	D	E	(X3) F
2PIN	7.32	4.38	1.27	3.38	5.69	6.72
4PIN	9.86	6.92	3.81	5.92	8.23	9.26
6PIN	12.40	9.46	6.35	8.46	10.77	11.8
8PIN	14.94	12	8.89	11	13.31	14.34
10PIN	17.48	14.54	11.43	13.54	15.85	16.88
12PIN	20.02	17.08	13.97	16.08	18.39	19.42

PRODUCT NUMBER CODE

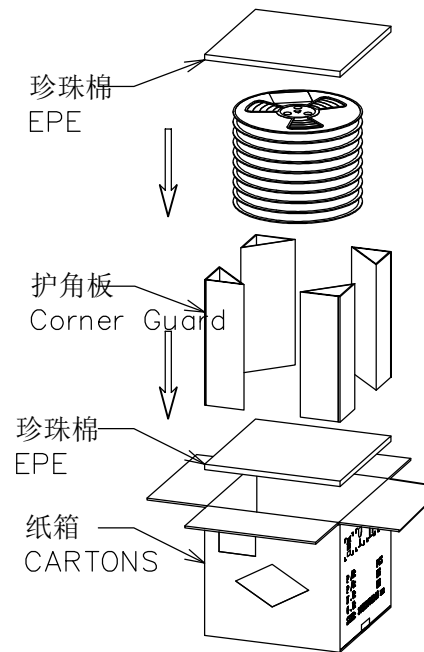
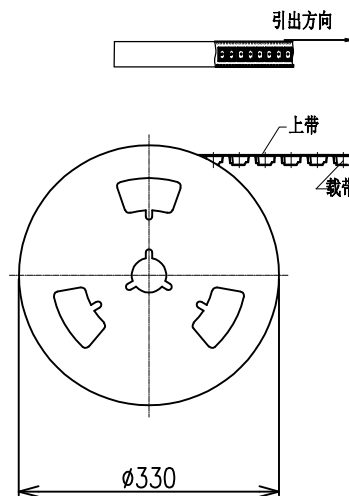
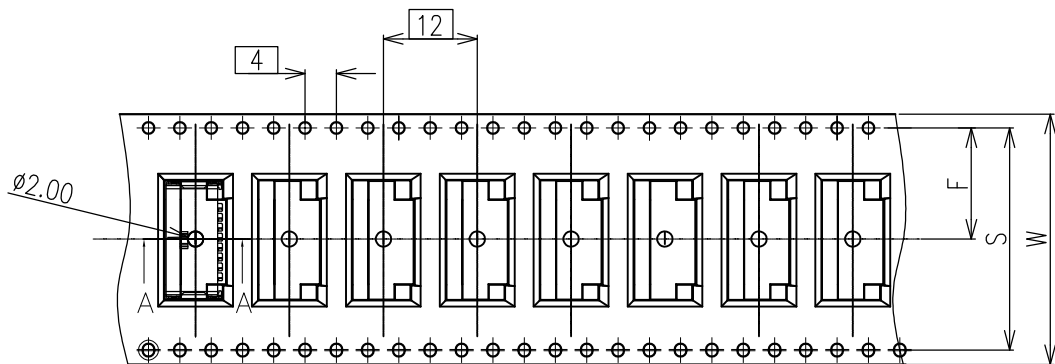
WTB20 - B 0 XX H B 02
 ① ② ③ ④ ⑤ ⑥ ⑦

- ① PRODUCT:
WTB20:1.27mm WTB CONNECTOR
- ② TYPE:
B:BOARD
- ③ TYPE
0: SINGLE ROW
- ④ POSITIONS:
XX:SEE NOTE
- ⑤ PRODUCT:
H:HORIZONTAL
- ⑥ COLOR:
B:BLACK
- ⑦ OTHER:
02:STANDARD

1. MATERIAL
 - 1.1 INSULATOR: HIGHT TEMPERATURE PLASTIC, UL94V-0, BLACK COLOR.
 - 1.2 CONTACT: COPPER ALLOY, GOLD PLATED(SEE ORDER INFORMATION) IN CONTACT AREA, MATTE-TIN PLATED IN SOLDER AREA, NICKEL UNDERPLATED OVERALL.
 - 1.3 LATCH: COPPER ALLOY, TIN PLATED, NICKEL UNDERPLATED OVERALL.
2. SPECIFICATIONS:
 - 2.1 CURRENT RATING:4A MAX DEPENDS ON THE CABLE.
 - 2.2 WITHSTANDING VOLTAGE: 500V AC FOR A MINUTE.
 - 2.3 INSULATION RESISTANCE: 100M OHMS MIN. DC 500V.
 - 2.4 CONTACT RESISTANCE: 25mΩ MAX.
 - 2.5 OPERATING TEMPERATURE: -40°C ~ +125°C.
3. APPLICATION:
 - 3.1 MATES WITH WIRE CONNECTOR:
 WTB20-WOXXHBX2(DOCUMENT NO:C-WTB20-1W-03).
 WTB20-WOXXRBX2(DOCUMENT NO:C-WTB20-1W-02).

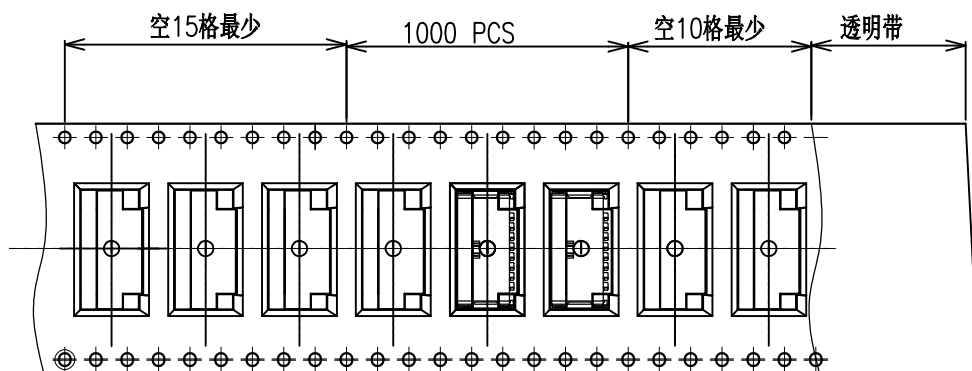
DRAWN DATE	GENERAL X. ±0.38 .X ±0.25 .XX ±0.13 .XXX ±0.05	ANGLES X' ±3.0' .X' ±2.0' .XX' ±1.0'	YXT Precision Electronics Co.,Ltd. YXT 益鑫通精密电子有限公司			
DESIGN DATE	GENERAL TOLERANCES UNLESS OTHERWISE SPECIFIDE					
CHECKED DATE	UNIT: mm		SIZE A4	P/N	WTB20-BOXXHB02	
APPROVED DATE	SHEET 2 OF 3		SCALE 5:1	REV. X3	DWG NO. C-WTB20-1P-03	
CUSTOMER DRAWING						

RoHS



	WTB20-B002HB02	WTB20-B003HB02	WTB20-B004HB02	WTB20-B006HB02	WTB20-B008HB02	WTB20-B010HB02	WTB20-B012HB02
W	24.00±0.30	24.00±0.30	24.00±0.30	24.00±0.30	32.00±0.30	32.00±0.30	44.00±0.30
S	NA	NA	NA	NA	28.40±0.10	28.40±0.10	40.40±0.10
F	11.50±0.15	11.50±0.15	11.50±0.15	11.50±0.15	14.20±0.15	14.20±0.15	20.20±0.15

产品料号	包装数/Reel	包装数/外箱
WTB20-B002HB02	1000	10000
WTB20-B003HB02	1000	10000
WTB20-B004HB02	1000	10000
WTB20-B006HB02	1000	10000
WTB20-B008HB02	1000	8000
WTB20-B010HB02	1000	8000
WTB20-B012HB02	1000	6000



DRAWN	DATE	GENERAL X. ±0.38 .X ±0.25 .XX ±0.13 .XXX ±0.05 ANGLES X° ±3.0° .X° ±2.0° .XX° ±1.0°	YXT 益鑫通精密电子有限公司 YXT Precision Electronics Co.,Ltd.	TITLE		
DESIGN	DATE			Pitch 1.27 Single row WTB Connector		
CHECKED	DATE			GENERAL TOLERANCES UNLESS OTHERWISE SPECIFIED		
APPROVED	DATE			UNIT: mm SIZE A4 P/N WTB20-BOXHB02 REV. X3 DWG NO. C-WTB20-1P-03		
CUSTOMER DRAWING		SHEET 3 of 3	SCALE 5:1			