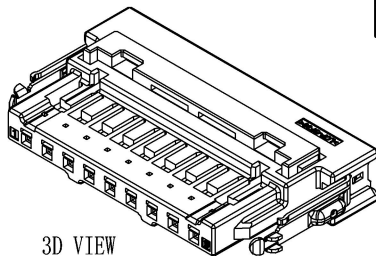
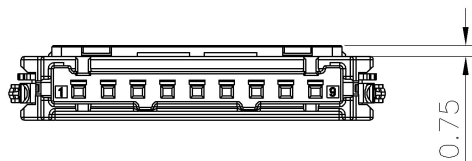
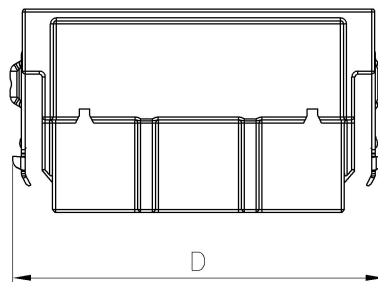
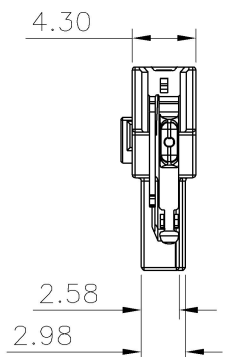
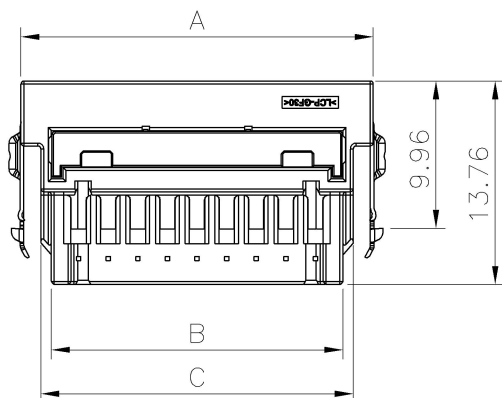


REV.	ECR	DESCRIPTION	DATE	REVISOR	CHECKED	APPROVED
A	EN-0101-210099	NEW RELEASE	2021/12/20	Zuyu Jiang	Wang	Lv



3D VIEW



备注 (NOTES)

1. 材料 (MATERIAL)

1.1 塑胶 (INSULATOR) : LCP.

1.2 卡勾 (SHACKLE) : SUS .

2. 技术说明 (SPECIFICATIONS) :

2.1 额定电流 (CURRENT RATING) : 3A MAX.AC / DC

2.2 额定电压 (VOLTAGE RATING) :125V Max. AC / DC

2.3 耐电压 (WITHSTANDING VOLTAGE) : 500V AC FOR 1 MINUTE.

2.4 绝缘电阻 (INSULATION RESISTANCE) : 1000MΩ OHMS MIN.

2.5 接触阻抗 (CONTACT RESISTANCE) : 20mΩ MAX. (Initial)  
30mΩ MAX. (After Test)

2.6 工作温度 (OPERATING TEMPERATURE) : -40° C ~ +125° C.

WTB31 - W 1 \*\* H W 1 - 001  
① ② ③ ④ ⑤ ⑥ ⑦ ⑧

① WTB31: PRODUCT SERIERS

② W: WIRE

③ 1: SINGLE ROW

④ \*\*: 02 POSITIONS~16 POSITIONS

⑤ H: HORIZONTAL

⑥ W: BLACK

⑦ 1 : Ni UNDERPLATING 50~100u" (1.25~2.5um)

Sn 100~180u" (2.5~4.5um) PLATING OVERALL

⑧ 001: FPC TYPE

尺寸 (mm)

PIN	A	B	C	D	PIN	A	B	C	D
2	9.80	5.70	7.10	11.10	10	25.80	21.70	23.10	27.10
3	11.80	7.70	9.10	13.10	11	27.80	23.70	25.10	29.10
4	13.80	9.70	11.10	15.10	12	29.80	25.70	27.10	31.10
5	15.80	11.70	13.10	17.10	13	31.80	27.70	29.10	33.10
6	17.80	13.70	15.10	19.10	14	33.80	29.70	31.10	35.10
7	19.80	15.70	17.10	21.10	15	35.80	31.70	33.10	37.10
8	21.80	17.70	19.10	23.10	16	37.80	33.70	35.10	39.10
9	23.80	19.70	21.10	25.10					

DRAWN	DATE	GENERAL	ANGLES	<b>YXT</b> 益鑫通精密电子有限公司 YXT Precision Electronics Co.,Ltd.
DESIGN	DATE	.X ±0.35 .XX ±0.25 .XXX ±0.15	.X' ±2.0' .XX'	
CHECKED	DATE	GENERAL TOLERANCES UNLESS OTHERWISE SPECIFIED		TITLE
APPROVED	DATE	UNIT: mm		客户图 FOR WTB31 WIER SIDE FPC TYPE
客户图	SHEET 1 OF 1	SCALE 1:1	REV. A	P/N WTB31-W1XXHW1-001 DWG NO. /