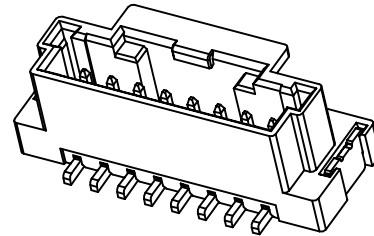
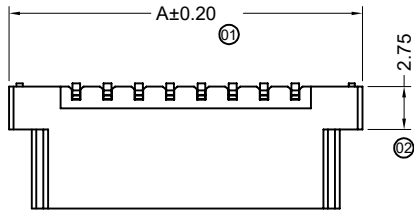


REV.	ECR	DESCRIPTION	DATE	REVISOR	CHECKED	APPROVED
A	/	NEW RELEASE	2022/04/20	Zuyu Jiang	Wang	Lv
B	/	ADD DIMENSION	2022/07/15	Zuyu Jiang	Wang	Lv



3D VIEW

备注 (NOTES)

1.材料 (MATERIAL)

1.1 塑胶 (INSULATOR) : SEE PRODUCT NUMBER

1.2 端子 (CONTACT) : BRASS.

电镀: 全区域镀锡100u"MIN. 镍底50u" MIN.
100u" MIN. TIN PLATED UNDERPLATED OVERALL
50u" MIN. NICKEL UNDERPLATED OVERALL.

2.技术说明 (SPECIFICATIONS) :

2.1 额定电流 (CURRENT RATING) : 3A MAX.AC / DC

2.2 额定电压 (VOLTAGE RATING) : 125V Max. AC / DC

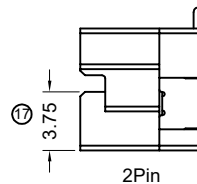
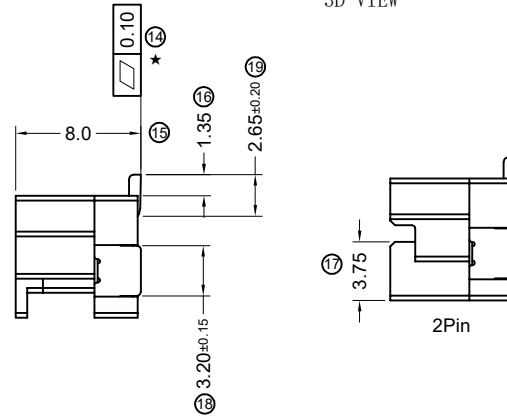
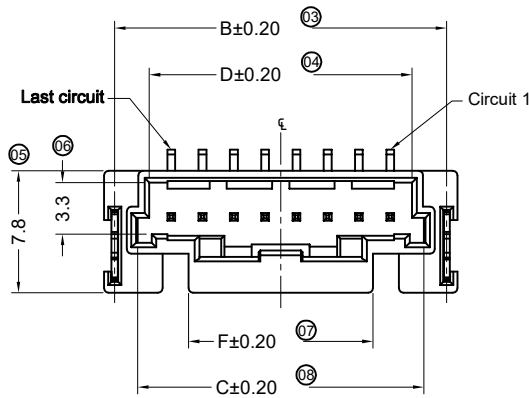
2.3 耐电压 (WITHSTANDING VOLTAGE) : 500V AC / MINUTE.

2.4 绝缘电阻 (INSULATION RESISTANCE) : 1000MΩ MIN. DC 500V.

2.5 接触阻抗 (CONTACT RESISTANCE) : 10mΩ MAX. (Initial)
20mΩ MAX. (After Test)

2.6 工作温度 (OPERATING TEMPERATURE) : -40° C ~ +125° C.

2.7 耐焊接热 (RESISTANCE SOLDERING HEAT) : 260° C.



2Pin

PRODUCT NUMBER:

WTBA0 - B V 0 ** - * * M R - 001
① ② ③ ④ ⑤ ⑥ ⑦ ⑧ ⑨ ⑩

Poles	Dimensions (mm)					
	A	B	C	D	E	F
02	10.60	9.23	6.30	4.80	2.00	6.30
03	12.60	11.23	8.30	6.80	4.00	5.80
04	14.60	13.23	10.30	8.80	6.00	7.80
05	16.60	15.23	12.30	10.80	8.00	9.80
06	18.60	17.23	14.30	12.80	10.00	11.80
07	20.60	19.23	16.30	14.80	12.00	11.80
08	22.60	21.23	18.30	16.80	14.00	11.80
09	24.60	23.23	20.30	18.80	16.00	11.80
10	26.60	25.23	22.30	20.80	18.00	11.80
11	28.60	27.23	24.30	22.80	20.00	11.80
12	30.60	29.23	26.30	24.80	22.00	11.80
13	32.60	31.23	28.30	26.80	24.00	11.80
14	34.60	33.23	30.30	28.80	26.00	11.80
15	36.60	35.23	32.30	30.80	28.00	11.80

① WTBA0: PRODUCT SERIES

② B: BOARD

③ V: VERTICAL

④ 0: SINGLE ROW

⑤ **: 02~15 POSITIONS

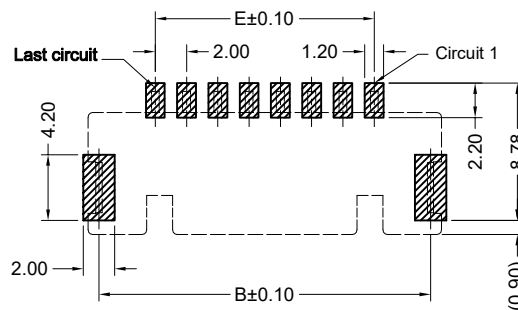
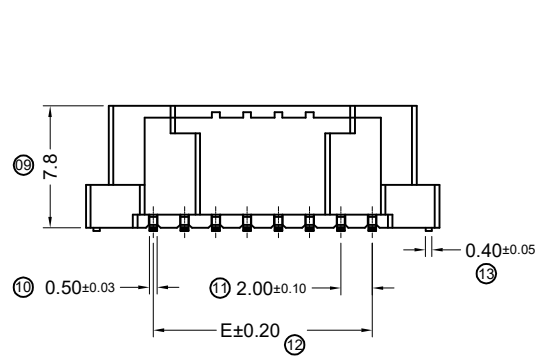
⑥ *: N-NYLON PA9T; L-LCP

⑦ *: N: Natural; B:BLACK

⑧ PLATING: M - MATTE Sn

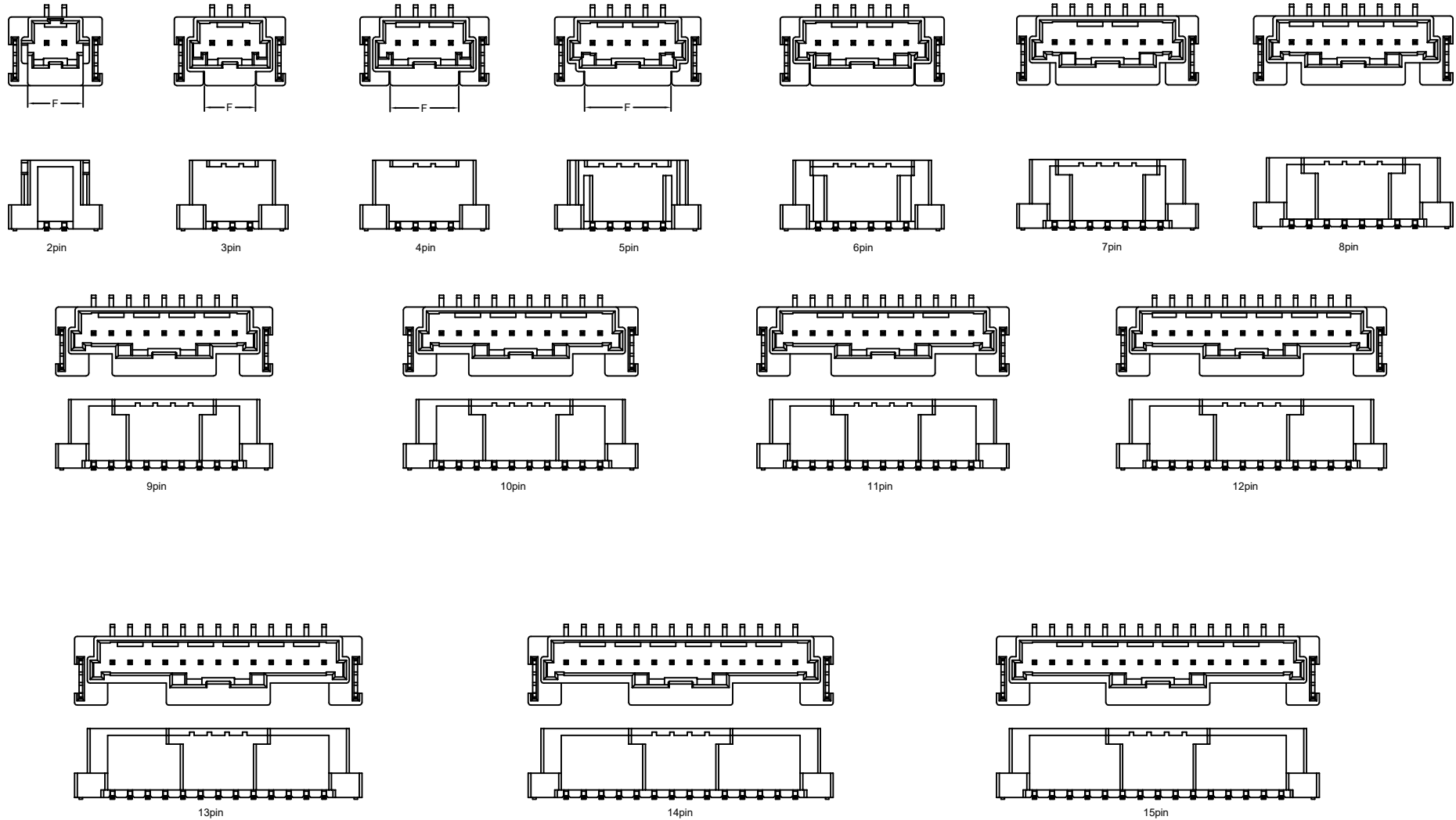
⑨ PACKAGING: R - TAPE REEL


⑩ 001:SMT



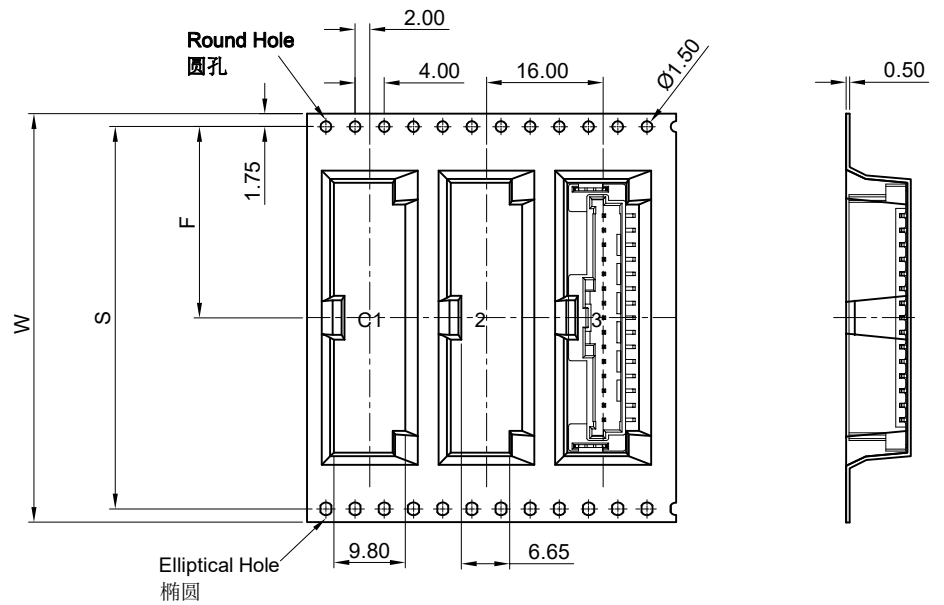
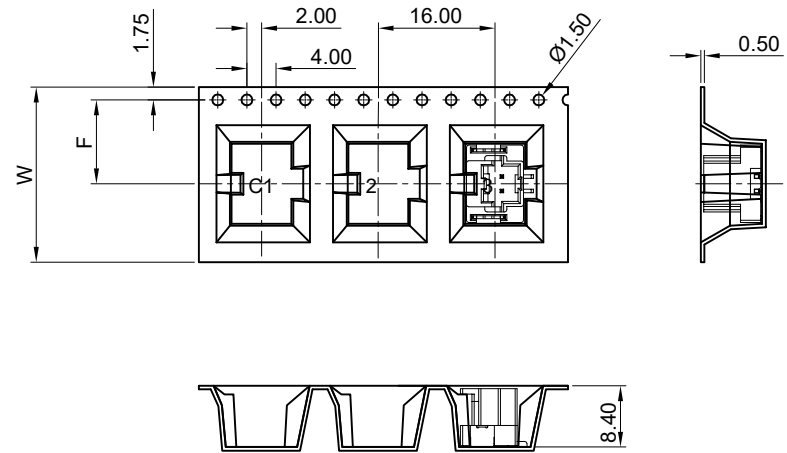
RECOMMENDED P.C.B LAYOUT
(TOLERANCE:±0.05)

DRAWN DATE JIANG 2022/07/15	GENERAL X. .X ±0.35 .XX ±0.23 .XXX ±0.15	ANGLES X'. ±2.0' .X' .XX'	益鑫通精密电子有限公司 YXT Precision Electronics Co.,Ltd.
DESIGN DATE JIANG 2022/07/15	TITLE 2.0mm Pitch Vertical SMT Type Board Side		
CHECKED DATE WANG 2022/07/15	GENERAL TOLERANCES UNLESS OTHERWISE SPECIFIED		UNIT: mm SIZE A4 P/N WTBA0-BV0**-NNMR-001
APPROVED DATE LV 2022/07/15		SCALE 1:3 REV. B DWG NO. /	
客户图	SHEET 1 OF 2		

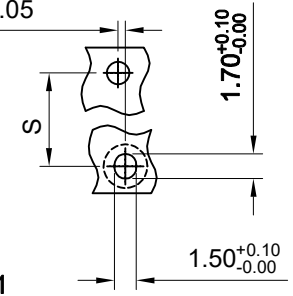


DRAWN DATE JIANG 2022/07/15 DESIGN DATE JIANG 2022/07/15 CHECKED DATE WANG 2022/07/15 APPROVED DATE LV 2022/07/15 客户图	GENERAL X. ±0.35 .XX ±0.23 .XXX ±0.15 GENERAL TOLERANCES UNLESS OTHERWISE SPECIFIED SHEET 2 OF 3	ANGLES X°. ±2.0° .X° .XX° UNIT: mm SCALE 1:1	 YXT 益鑫通精密电子有限公司 YXT Precision Electronics Co.,Ltd. TITLE 2.0mm Pitch Vertical SMT Type Board Side SIZE A4 P/N WTBA0-BV0**-NNMR-001 REV. B DWG NO. /
---	--	---	---

Pull out direction 拉出方向



The largest deviation
最大偏离0.05



SECTION
SCALE 2:1

PART No. 产品料号	W	S	F	T	G	Cover Tape(W) 上带(宽度)	REEL 卷/PCS	CARTON 箱/R	CARTON 箱/PCS	CARTON SIZE
WTBA0-BV002-NNMR-001	24	-	11.5	28.50	24.50	21.3	450	8R	3600	350*350*260
WTBA0-BV003-NNMR-001										
WTBA0-BV004-NNMR-001	32	28.4	14.2	36.50	32.50	25.5	450	7R	3150	
WTBA0-BV005-NNMR-001										
WTBA0-BV006-NNMR-001										
WTBA0-BV007-NNMR-001	44	40.4	20.2	48.50	44.50	37.5	450	5R	2250	
WTBA0-BV008-NNMR-001										
WTBA0-BV009-NNMR-001										
WTBA0-BV010-NNMR-001										
WTBA0-BV011-NNMR-001										
WTBA0-BV012-NNMR-001	56	52.4	26.2	60.50	56.50	49.5	450	4R	1800	
WTBA0-BV013-NNMR-001										
WTBA0-BV014-NNMR-001										
WTBA0-BV015-NNMR-001										

GENERAL X. ** . X ** . XX ** . XXX **	ANGLES X° . ** . X° ** . XX° **	YXT 益鑫通精密电子有限公司 YIT Precision Electronics Co., Ltd.
GENERAL TOLERANCES UNLESS OTHERWISE SPECIFIDE		
TITLE : 2.0mm Pitch Vertical SMT Type Board Side		SIZE A4 P/N : WTBA0-BV0**-NNMR-001
UNIT: mm SHEET 3 OF 3	SCALE 1:1 REV. B	DWG NO. : /