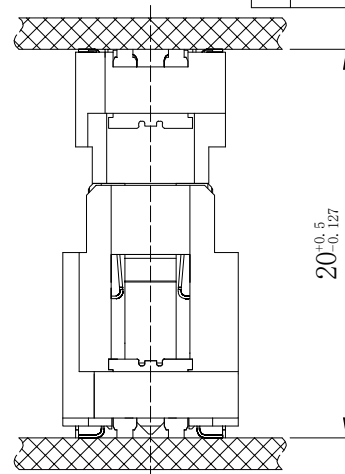
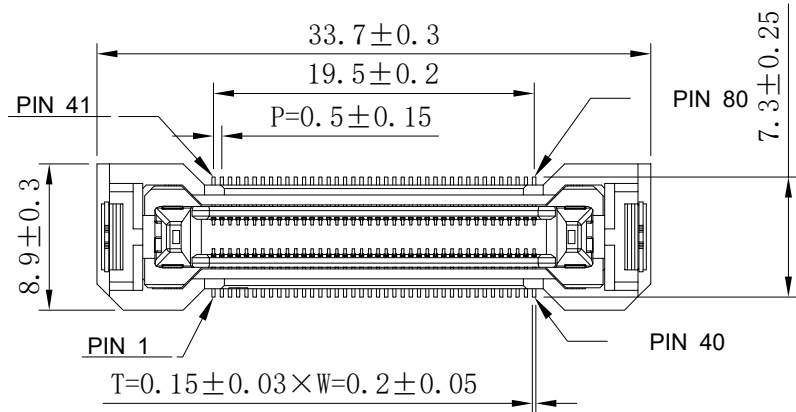


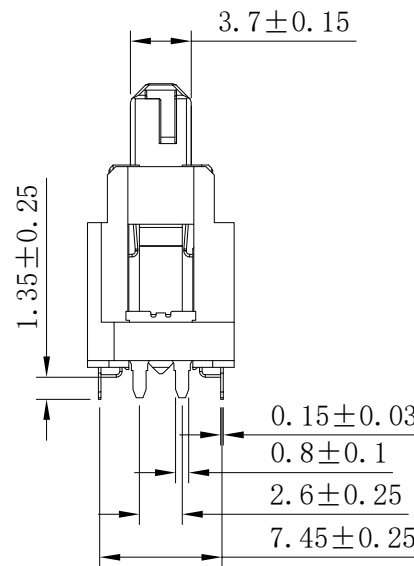
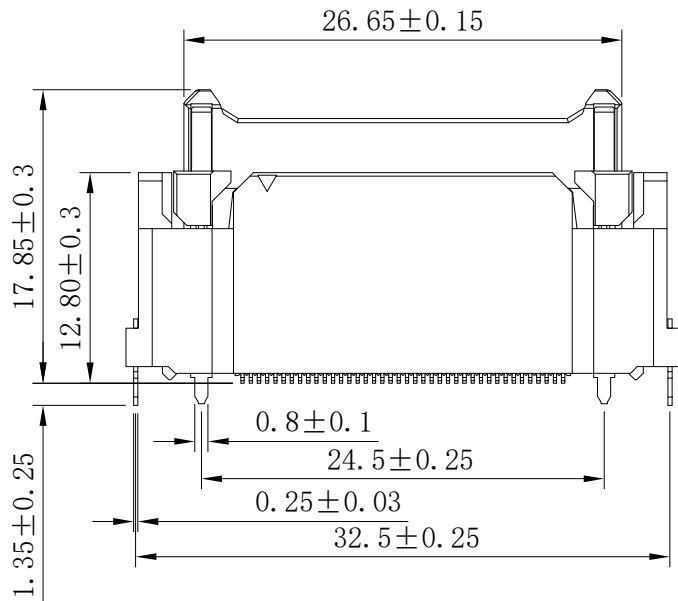
REV.	ECR	DESCRIPTION	DATE	REVISOR	CHECKED	APPROVED
X1	/	NEW RELEASE	2023/02/03	JASON	JASON	JASON



PRODUCT NUMBER:

FBB10 - *** P 0.5 SV 20
 ① ② ③ ④ ⑤ ⑥

- ① FBB10: PITCH 0.50mm BTB CONNECTOR
- ② ***: 60 80 120 POSITIONS
- ③ TYPE: P PLUG
- ④ PITCH: 0.5mm
- ⑤ TYPE: SV-HORIZONTAL
- ⑥ MATING HEIGHT: 10-10mm 20-20mm



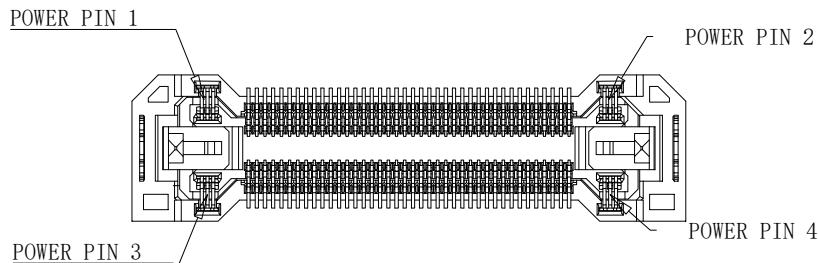
备注 (NOTES)

1. 材料 (MATERIAL)

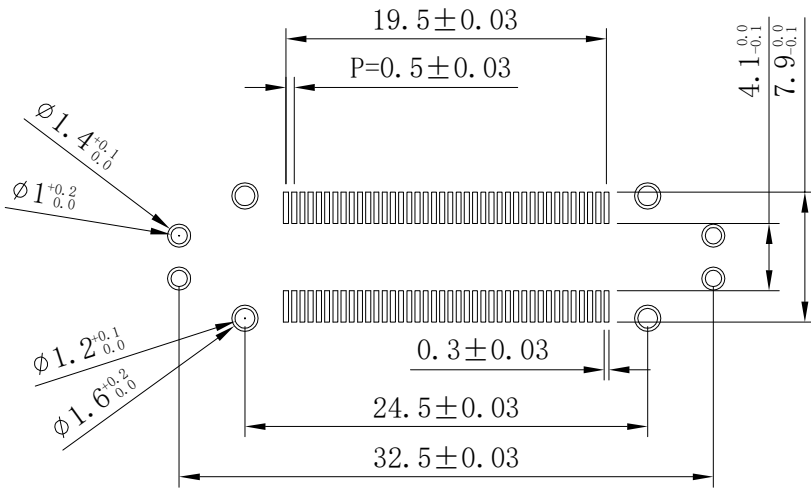
- 1.1 塑胶 (INSULATOR) : BLACK UL94-V0
- 1.2 端子 (CONTACT) : COPPER ALLOY

2. 技术说明 (SPECIFICATIONS) :


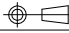
- 2.1 额定电流 (CURRENT RATING) : SIGNAL PIN 0.5A
POWER PIN 3A
- 2.2 额定电压 (VOLTAGE RATING) : SIGNAL PIN 50V AC
POWER PIN 200V AC
- 2.3 耐电压 (WITHSTANDING VOLTAGE) : SIGNAL PIN 150V AC FOR 1 MINUTE
POWER PIN 600V AC FOR 1 MINUTE
- 2.4 绝缘电阻 (INSULATION RESISTANCE) : SIGNAL PIN 100V DC
POWER PIN 250V DC
- 2.5 接触阻抗 (CONTACT RESISTANCE) : SIGNAL PIN 70mΩ MAX
POWER PIN 20mΩ MAX
- 2.6 工作温度 (OPERATING TEMPERATURE) : -55° C ~ +105° C.
- 2.7 插拔循环 (Mating Cycles): 100 Cycles.



DRAWN	DATE	GENERAL	ANGLES	YXT 益鑫通精密电子有限公司 YXT Precision Electronics Co.,Ltd.
JASON	2023/02/03	X. ±0.35	X' ±2.0°	
DESIGN	DATE	.XX ±0.23	.XX'	
JASON	2023/02/03	.XXX ±0.15		TITLE
CHECKED	DATE	GENERAL TOLERANCES UNLESS OTHERWISE SPECIFIED		公座成品图 FOR FBB10 系列
JASON	2023/02/03			
APPROVED	DATE	UNIT: mm	SIZE A4	P/N FBB10-***P0.5SV20
JASON	2023/02/03	客户图	SHEET 1 OF 2	SCALE 1:1 REV. X1 DWG NO. N/A



APPLICABLE P.C.B LAYOUT(REF.)
P.C.B THICKNESS $t=1.6\text{mm}$

DRAWN	DATE	GENERAL X. .X ±0.35 .XX ±0.23 .XXX ±0.15	ANGLES X° ±2.0° .X° .XX°	 益鑫通精密电子有限公司 YXT Precision Electronics Co.,Ltd.	
JASON	2023/02/03				
DESIGN	DATE	GENERAL TOLERANCES UNLESS OTHERWISE SPECIFIDE		公座成品图 FOR FBB10 系列	
JASON	2023/02/03				
CHECKED	DATE				
JASON	2023/02/03	 UNIT: mm		SIZE A4	P/N FBB10-***P0.5SV20
APPROVED	DATE			SCALE 1:1	REV. X1
客户图		SHEET 2 OF 2	SCALE 1:1	REV. X1	DWG NO. N/A