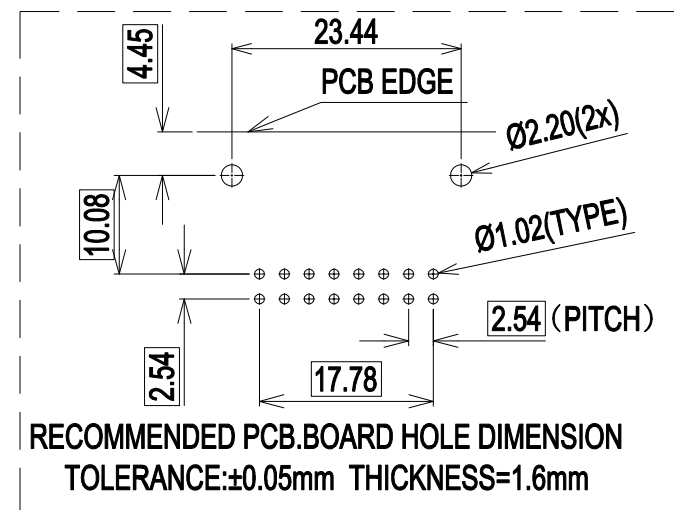
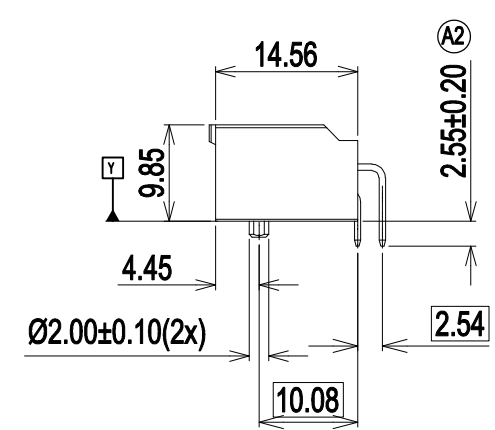
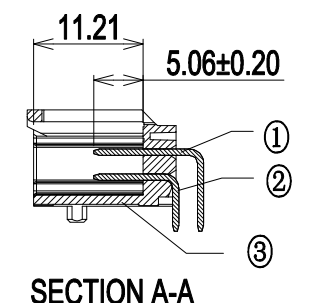
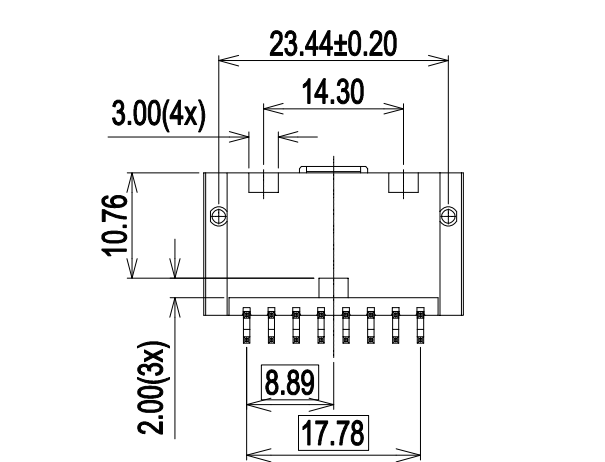
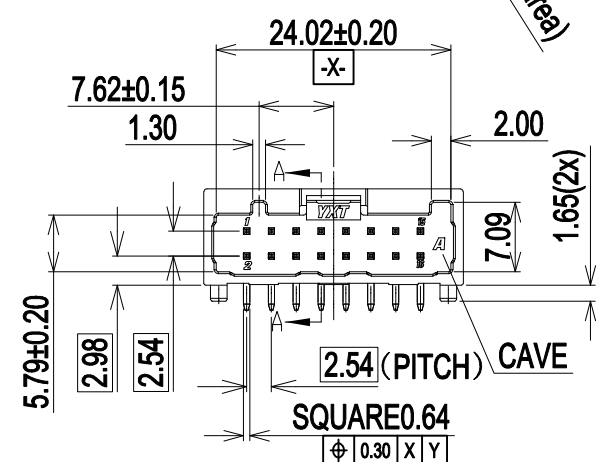
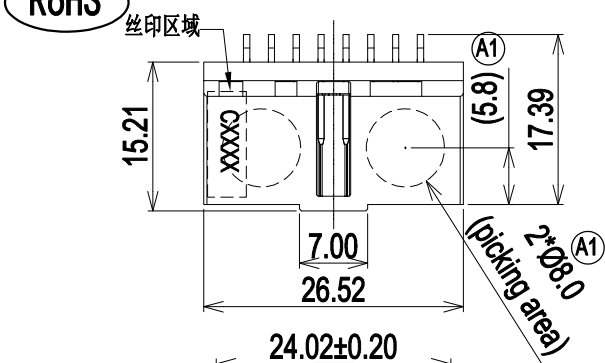
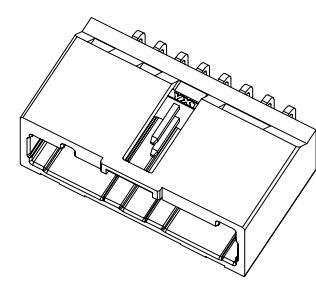


RoHS



REV.	ECR	DESCRIPTION	DATE	REVISOR	CHECKED	APPROVED
A		NEW RELEASE	12/03/2021	Menger		
A1		ADD PICKING AREA	01/12/2023	Menger		
A2		焊脚增加 0.20mm	09/10/2023	Menger		



- NOTES:
- ELECTRICAL PERFORMANCE
 - RATED CURRENT: 2.0A/PIN
 - INSULATION RESISTANCE: 100MΩ Min
 - DIELECTRIC WITHSTANDING VOLTAGE: AC 1000V(PER MINUTE)
 - CONTACT RESISTANCE: 20mΩ Max.initial
 - ENVIRONMENT PERFORMANCE
 - OPERATING TEMPERATURE -40℃~125℃
 - RoHS COMPLIANT
 - PRODUCT NUMBER NOTE:
WTB50 - A B 1 16 H B 1 -001
① ② ③ ④ ⑤ ⑥ ⑦ ⑧
- ① PRODUCT TYPE
 - ② KEY POTISION:A
 - ③ BOARD
 - ④ DOUBLE ROW
 - ⑤ PIN NUMBER
 - ⑥ HORIZONTAL TYPE
 - ⑦ COLOR:BLACK
 - ⑧ PLANT:GOLD Sn

丝印编码说明:
 C XXX X
 年:2022-C
 2
 2029-X
 周:01~52
 线+班别:
 白班+线: 1, 2, 3, 9, A, B, F, F
 夜班+线: G, H, J, K, X, Y (I, O不用)
 星期:周日-1
 2
 星期:周六-7

3	HOUSING	1	HIGH TEMPERATURE THERMOPLASTIC, BLACK	
2	LOWER TERMINAL	19	BRASS, Ni/Sn PLANTING	
1	UPPER TERMINAL	19	BRASS, Ni/Sn PLANTING	
ITEM	NAME	QTY	MATERIAL / FINISH	
DRAWN	DATE	GENERAL X	ANGLES X° ±2.0°	YXT 益鑫通精密电子有限公司 YXT Precision Electronics Co.,Ltd.
DESIGN	DATE	X ±0.35	X°	
Menger	2023-09-10	JXX ±0.25	JXX°	
CHECKED	DATE	XXX ±0.15		TITLE
APPROVED	DATE	GENERAL TOLERANCES UNLESS OTHERWISE SPECIFIED		16PIN RECEPTACLE CONNECTOR DIP
CUSTOMER DRAWING	SHEET 1 OF 1	UNIT: mm	SCALE: 1:1	REV: A2
		SIZE A4	P/N WTB50-AB116HB1-001	DWG NO. C-WTB50-2P-06