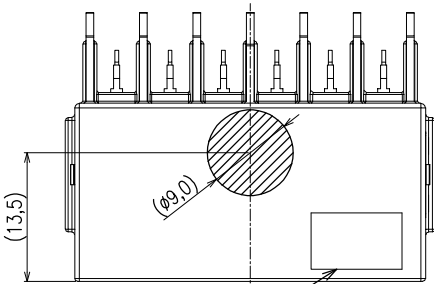
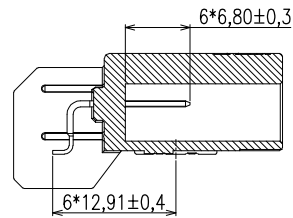


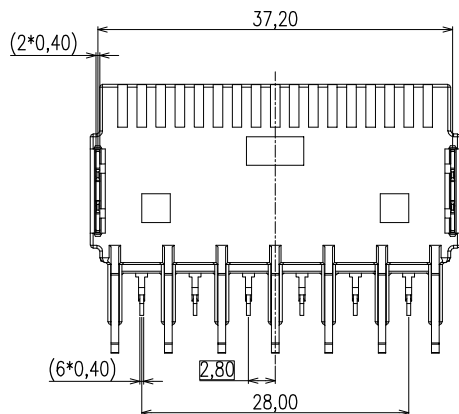
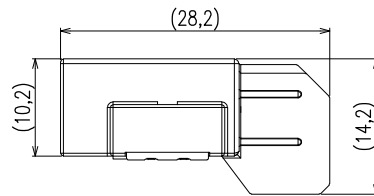
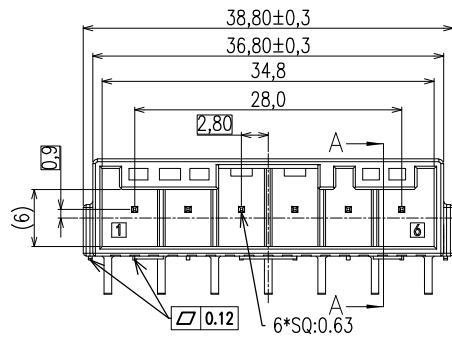
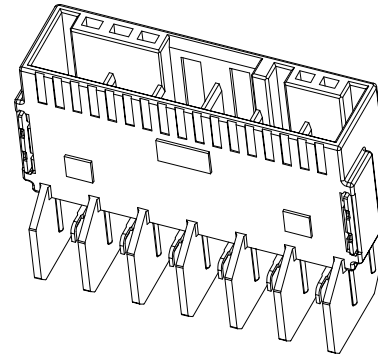
RoHS



PLASTIC MATERIAL
INFORMATION LOCATION



A-A



PART NUMBER CODE:

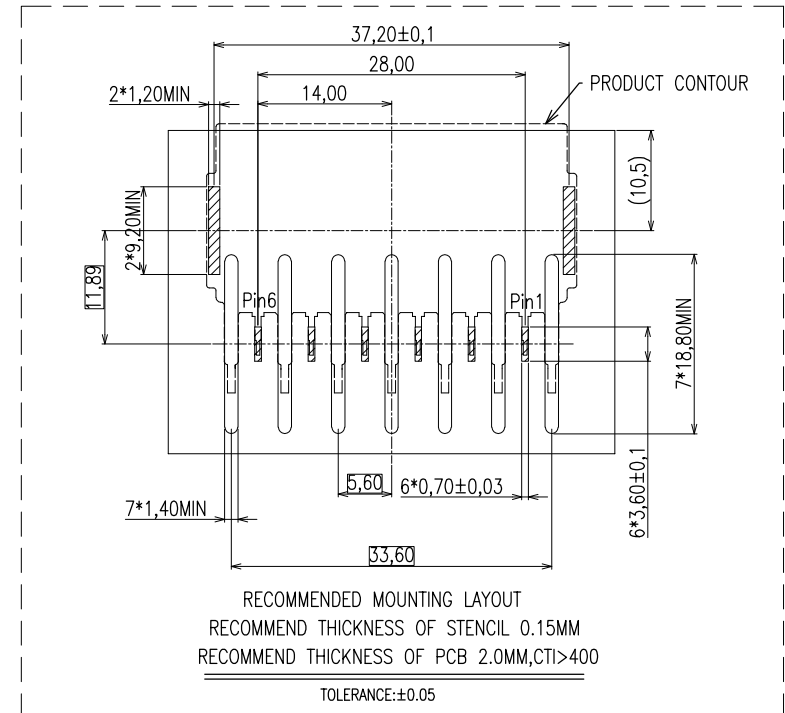
HV15 - A B H S O 06 - A J SN - 00

1 2 3 4 5 6 7 8 9 10 11

1. SERIES HV15
2. A: CODE A
3. B: BOARD
4. H: HORIZONTAL
5. S: SMT
6. O: SINGLE ROW
7. 06: PIN NUMBER
8. A: PLASTIC MATERIAL
9. J: COLOR:ORANGE
10. SN: PLATING
11. OTHER

REV.	ECR	DESCRIPTION	DATE	REVISOR	CHECKED	APPROVED
X1		RELEASE				
X2		ADD PART NUMBER CODE				

1. MATERIAL
 - 1.1 INSULATOR: HIGHT TEMPERATURE PLASTIC, UL94V-0,ORANGE,
 - 1.2 CONTACT: COPPER ALLOY, Sn OVER Ni
 - 1.3 LATCH: COPPER ALLOY, Sn OVER Ni
2. SPECIFICATIONS:
 - 2.1 OPERATING TEMPERATURE: -40°C ~ +105°C.
 - 2.2 RATED OPERATION. VOLTAGE:1500V DC



DRAWN	DATE	GENERAL X. ±0.38 .X ±0.25 .XX ±0.13 .XXX ±0.05	ANGLES X' ±3.0' .X' ±2.0' .XX' ±1.0'	 YXT 益鑫通精密电子有限公司 YXT Precision Electronics Co.,Ltd.	TITLE HV15 SINGLE ROW 6 PIN Connector
MENG YANG	2023.02.02				
DESIGN	DATE	GENERAL TOLERANCES UNLESS OTHERWISE SPECIFIED		SIZE A4	P/N HV15-ABHS006-AJSN-00
CHECKED	DATE	UNIT: mm		SCALE 1:1	REV. X2 DWG NO. C-HV15-1P01-001
APPROVED	DATE	SHEET 1 OF 1			
CUSTOMER DRAWING					